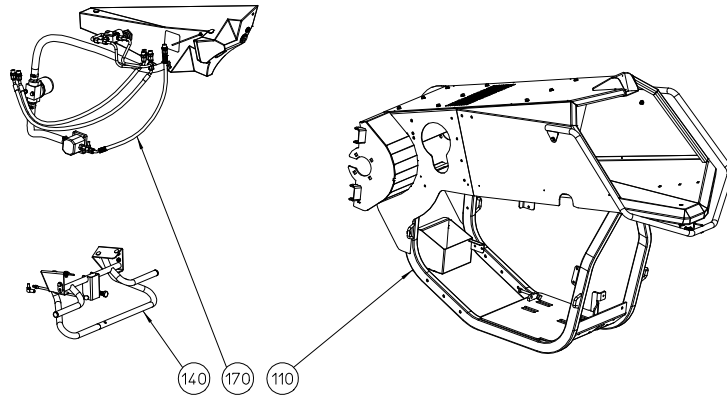
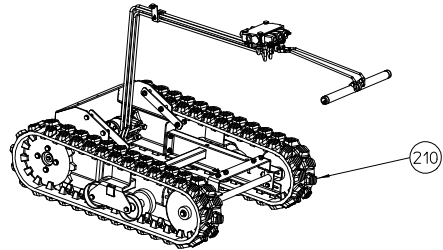


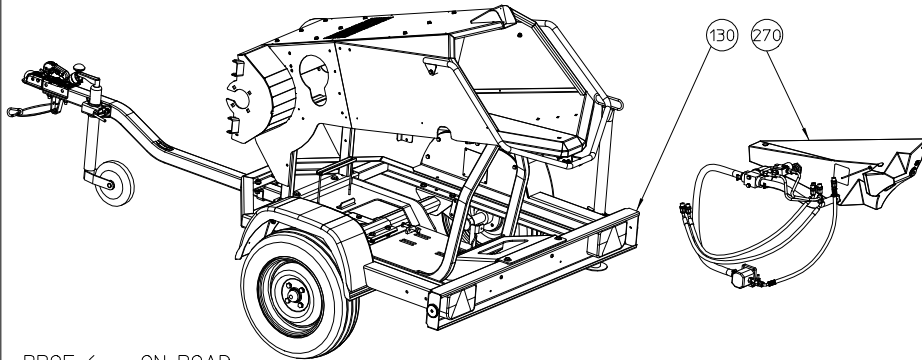
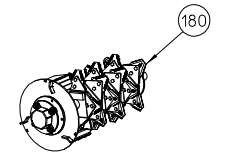
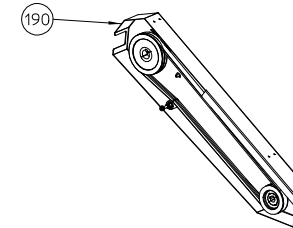
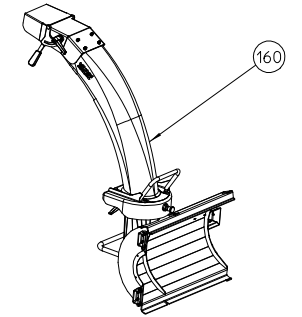
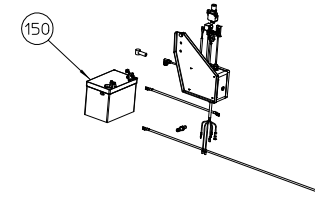
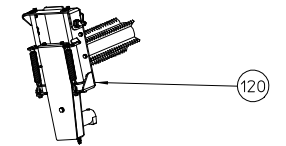
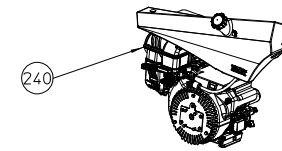
PROF 6 -- ON WHEEL



PROF 6 -- ON WHEEL + CROSS COUNTRY

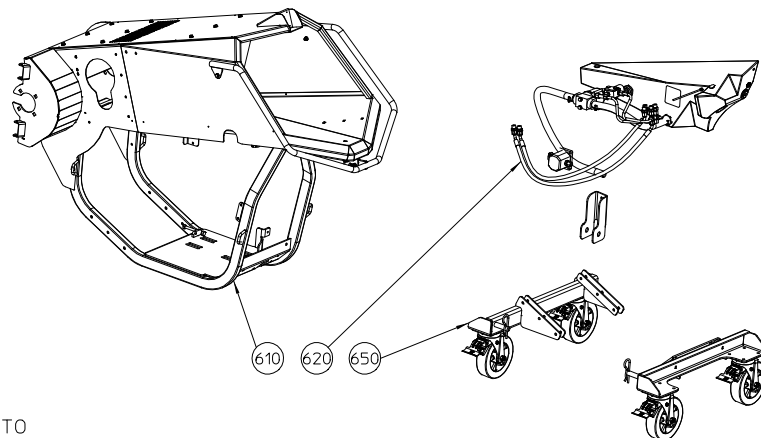


PROF 6 -- CROSS COUNTRY

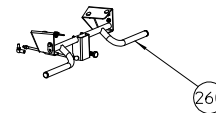


PROF 6 -- ON ROAD

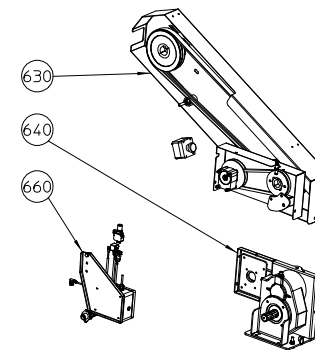
PROF 6 -- ON WHEEL
+ CROSS COUNTRY
+ ON ROAD



PROF 6 -- PTO

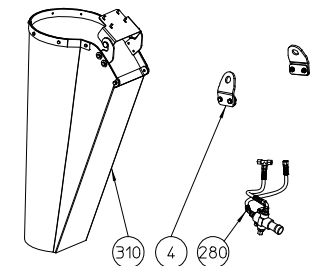


PROF 6 -- PTO + ON ROAD



PROF 6 -- PTO

PROF 6

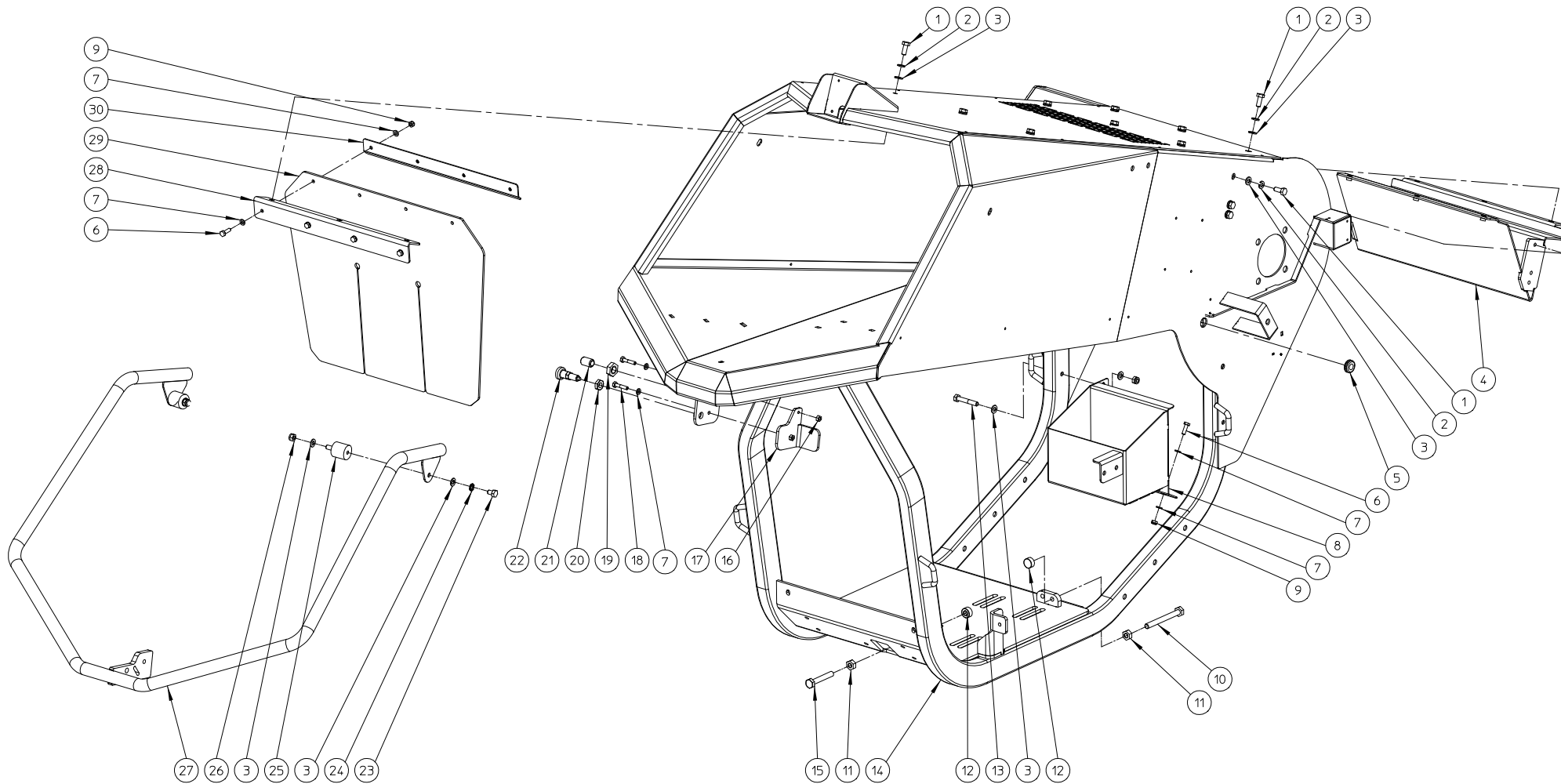


PROF 6 -- OPTION

PROF 6 -- GENERAL

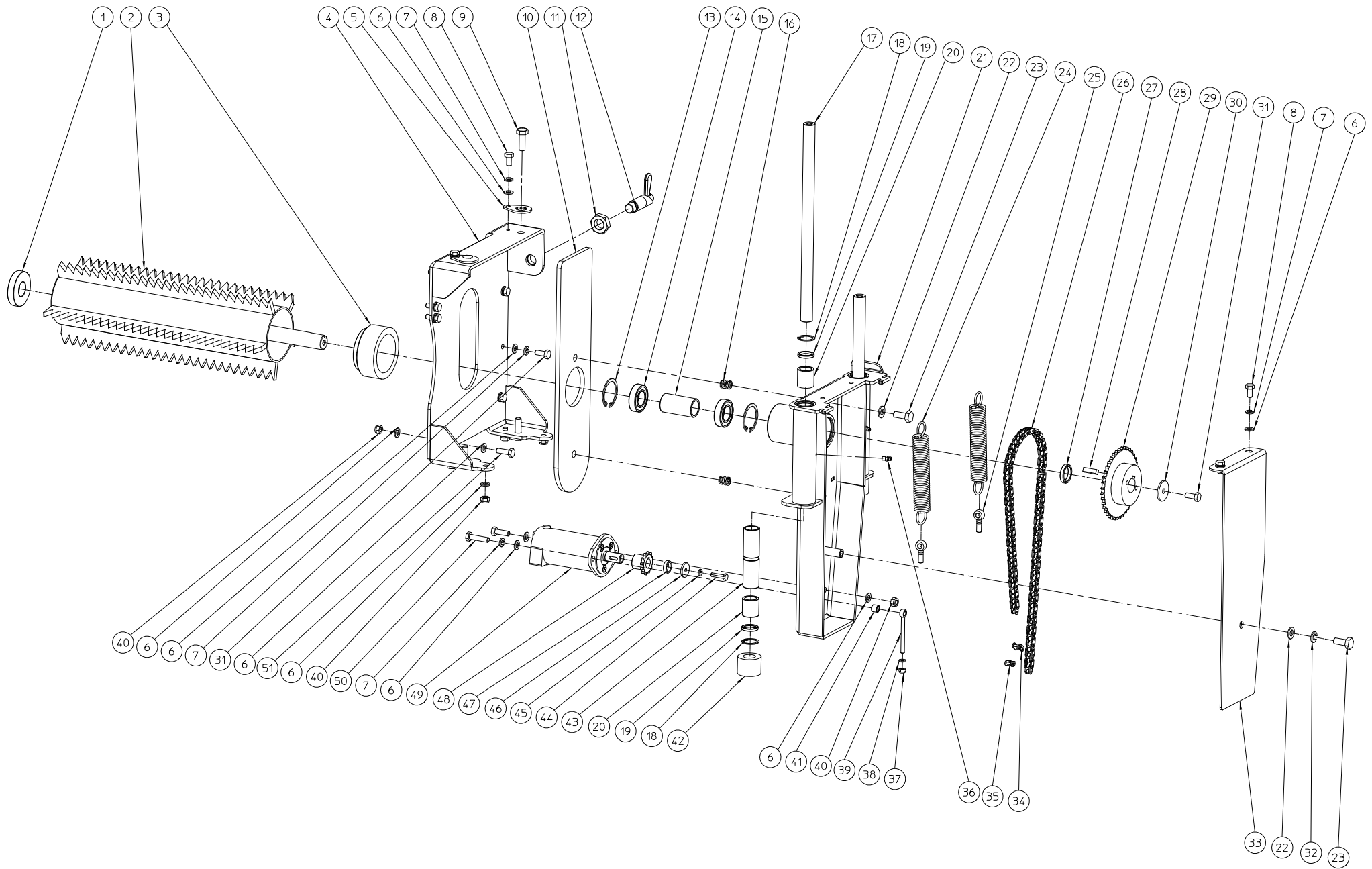
NO	MMA 01 054 100	REV	2	DATE	2021/02/18
----	----------------	-----	---	------	------------

#	Order nr	article description	quantity
4	MA 029 001 004		1
110	MMA 01 054 110	frame	1
120	MMA 01 054 120	feeder	1
130	MMA 01 054 130	trailer	1
140	MMA 01 054 140	feeder and driving unit controls	1
150	MMA 01 054 150	electrical system	1
160	MMA 01 054 160	ejection assembly	1
170	MMA 01 054 170	hydraulic system	1
180	MMA 01 054 180	rotor prof 6	1
190	MMA 01 054 190	transmission	1
200	MMA 01 054 200	wheel assembly - on wheels	1
210	MMA 01 054 210	track assembly - cross country	1
240	MMA 01 054 240	engine b&s vanguard	1
260	MMA 01 054 260	feeder control - on road	1
270	MMA 01 054 270	hydraulics - on road	1
280	MMA 01 054 280	feeder speed regulator	1
310	MMA 01 073 310	collecting bag	1
610	MMA 01 054 610	chassis - pto	1
620	MMA 01 054 620	hydraulics - pto	1
630	MMA 01 054 630	transmission - pto	1
640	MMA 01 054 640	pto connector	1
650	MMA 01 054 650	wheels and 3 point attachment - pto	1
660	MMA 01 054 660	electrical system - pto	1



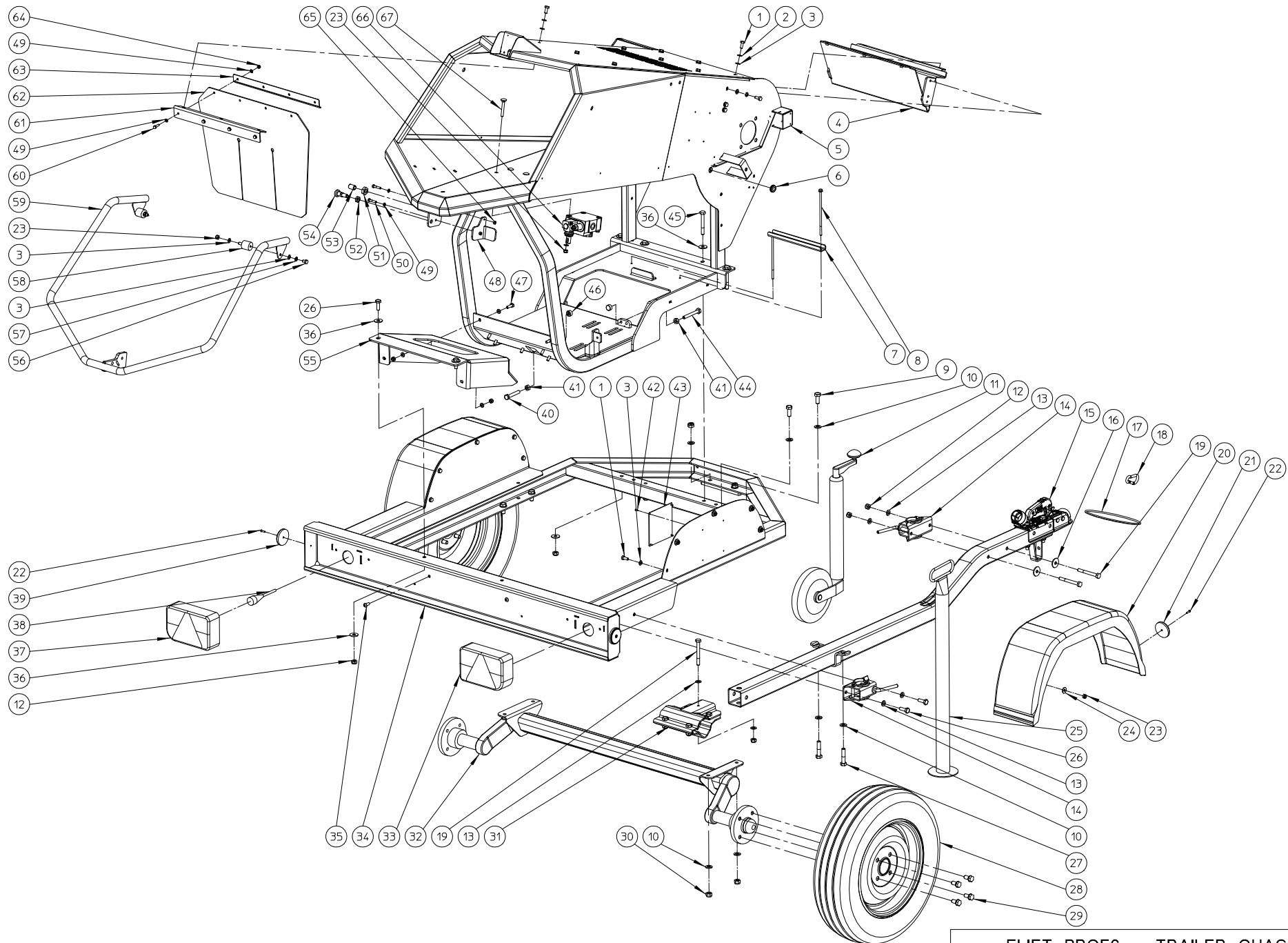
ELIET PROF6 – UPPER CHASSIS					
NO	MMA 01 054 110	REV	1	DATE	2021/02/18

#	Order nr	article description	quantity
1	BS 512 000 820	bolt m8x20 din 933	12
2	BS 533 000 800	lock washer m8 din 127b	12
3	BS 531 000 800	washer m8 din 125	18
4	MPA 01 054 120	anti-return	1
5	BR 000 212 040	grommets 120/200/40	1
6	BS 512 000 620	bolt m6x20 din 933	6
7	BS 531 000 600	washer m6 din 125	14
8	MPA 01 054 360	support battery	1
9	BS 502 000 600	self locking nut m6 din 985	6
10	BS 512 001 050	bolt m10x100 din 933	1
11	BS 501 001 000	nut m10 din 934	2
12	MPA 01 074 440	spacer ring tension engine	2
13	BS 511 000 842	bolt m8x50 din 931	1
14	MPA 01 054 050	chassis prof 6 zr cc	1
15	BS 512 001 045	bolt m10x65 din 933	1
16	BS 501 000 600	nut m6 din 934	2
17	MPA 01 054 210	countre plate safety bar	1
18	BS 511 000 630	bolt m6x30 din 931	2
19			0
20	BS 501 901 202	nut m12x1 din 439b	1
21	BS 351 601 624	spring loaded plunjer m16x24	1
22	BN 000 212 550	locking bolts with locking groove	1
23	BS 512 000 812	bolt m8x12 din 933	2
24	BS 534 000 800	lock washer m8 din 6798a	2
25	BR 600 130 301	antivibration blocks 30x30b m8x16	2
26	BS 502 000 800	self locking nut m8 din 985	3
27	MPA 01 054 200	safety bar	1
28	MPA 01 054 230	front fixation rubber protection	1
29	BR 902 000 010	transparant rubber	1
30	MPA 01 054 220	back fixation rubber protection	1



ELIET PROF6 - IN FEED ROLLER						
NO	MMA 01 054 120	REV	1	DATE	2021/02/11	

#	Order nr	article description	quantity
1	BR 910 000 970		1
2	MPA 01 054 060	intake roll	1
3	BR 910 000 980		1
4	MPA 01 054 070	support intake roll	1
5	MPA 01 054 750	fixating plate - bolt intake roll	4
6	BS 531 000 800	washer m8 din 125	20
7	BS 533 000 800	lock washer m8 din 127b	14
8	BS 512 000 816	bolt m8x16 din 933	6
9	BS 512 001 030	bolt m10x30 din 933	4
10	BR 910 001 030		1
11	BS 501 902 000	nut m20x1.50 din 439	1
12	BO 150 003 150	pull-lock with wing handle	1
13	BB 002 000 470	retaining ring 32 din 472	2
14	BL 002 504 703	bearing 6005 zz	2
15	MPA 01 470 430	-----	1
16	BV 911 000 010	spring 14x2x16	2
17	MPA 01 054 090	axle	2
18	BB 002 000 280	retaining ring 28 din 472	4
19	BR 302 120 284	seal 20x28x4	4
20	BL 866 010 010	bronze bush bearing fmtdc20	4
21	MPA 01 054 110	support hydr. engine intake roll	1
22	BS 531 001 000	washer m10 din 125	3
23	BS 512 001 025	bolt m10x25 din 933	3
24	BV 919 000 010	spring	2
25	BS 551 000 830	eye bolt m8x30 din 444	2
26	BA 101 085 020	chain simplex 3/8"x7/32" 85l	1
27	MPA 01 470 420	-----	1
28	BB 341 080 725	key 8x7x25 din 6880	1
29	BA 161 040 251	sprocket simplex 3/8"x7/32" 40t	1
30	BS 532 008 356	washer m8x35x3	1
31	BS 512 000 820	bolt m8x20 din 933	8
32	BS 533 001 000	lock washer m10 din 127b	1
33	MPA 01 054 080	cover plate intake roll	1
34	BA 151 200 000	connecting chain link simplex 3/8"x7/32"	1
35	BA 151 400 000	connecting chain link simplex (1/2) 3/8"x7/32"	1
36	BY 100 106 100	grease fitting m6 din 71412	2
37	BS 502 000 600	self locking nut m6 din 985	1
38	BS 531 000 600	washer m6 din 125	1
39	BS 551 100 646	eye bolt m6x70 din 444	1
40	BS 502 000 800	self locking nut m8 din 985	4
41	MPA 01 054 810	spacer	1
42	BR 900 001 810	rubber center piece	2
43	MPA 01 054 100	spacer bar	2
44	BS 512 000 625	bolt m6x25 din 933	1
45	BS 533 000 600	lock washer m6 din 127b	1
46	BS 532 006 276	washer m6x27x3	1
47	MPA 01 054 910	spacer hydr. engine	1
48	BA 161 012 162	sprocket simplex 3/8"x7/32" 12t	1
49	BH 331 205 000	hydraulic engine epmm 50cc	1
50	BS 512 000 835	bolt m8x35 din 933	1
51	BS 512 000 825	bolt m8x25 din 933	2

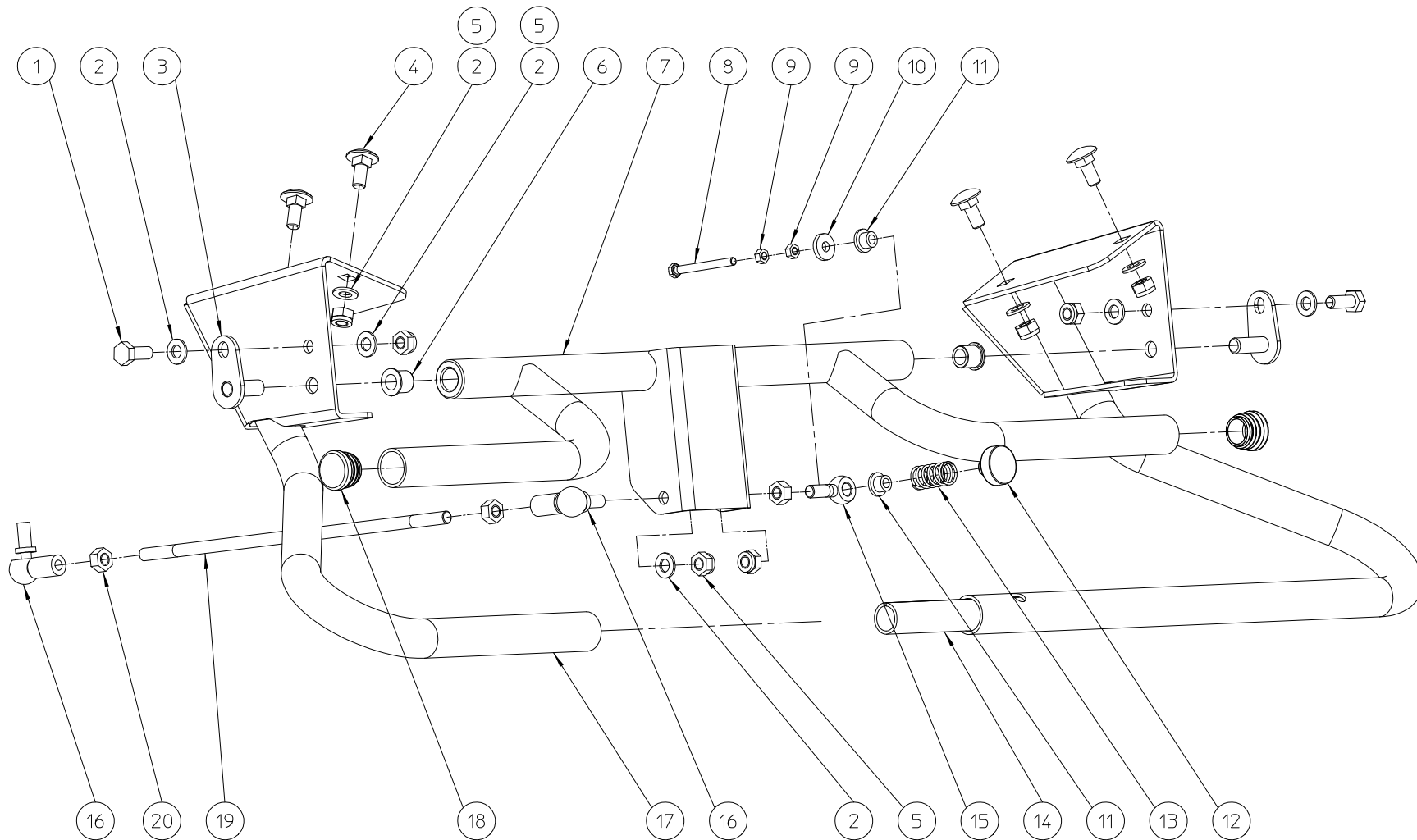


ELIET PROF6 – TRAILER CHASSIS

NO	MMA 01 054 130	REV	1	DATE	2021/02/11
----	----------------	-----	---	------	------------

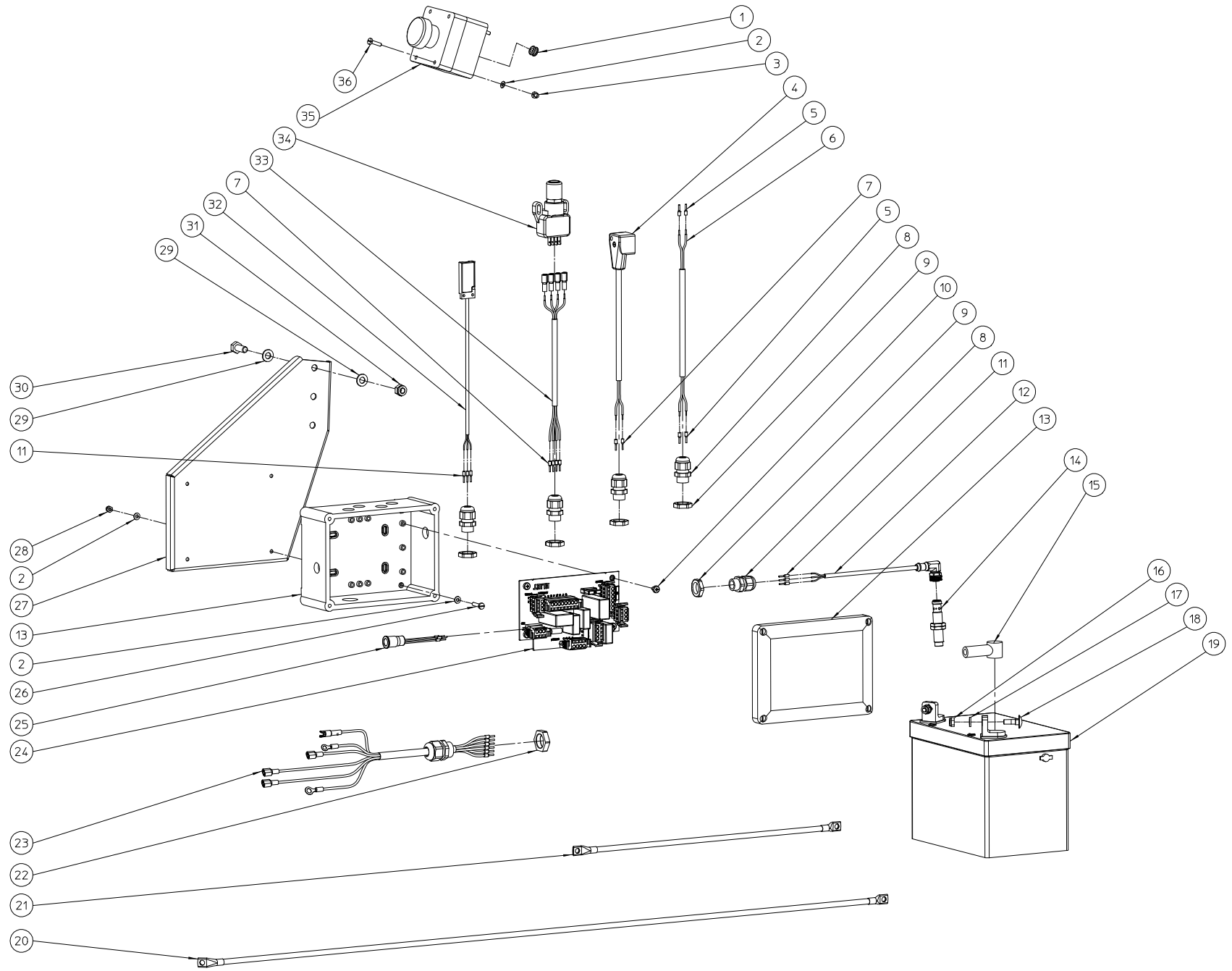
#	Order nr	article description	quantity
1	BS 512 000 820	bolt m8x20 din 933	22
2	BS 533 000 800	lock washer m8 din 127b	12
3	BS 531 000 800	washer m8 din 125	45
4	MPA 01 054 120	anti-return	1
5	MPA 01 054 140	chassis trailer	1
6	BR 000 212 040	grommets 120/200/40	1
7	MPA 01 054 160	fixating plate battery	1
8	BS 511 400 657	hexagon flange bolts m6x170 din 6921	2
9	BS 512 001 230	bolt m12x30 din 933	4
10	BS 531 001 200	washer m12 din 125	12
11	BY 727 000 100	support wheel	1
12	BS 502 001 000	self locking nut m10 din 985	11
13	BS 531 001 000	washer m10 din 125	8
14	BY 728 010 100	clamp support wheel	2
15	BY 709 601 004		1
16	BS 532 010 356	washer m10x35x3	2
17	BY 709 601 200		1
18	BY 522 080 080		1
19	BS 511 001 049	bolt m10x90 din 931	3
20	BY 722 400 400	splash screen plastic 180/631 black	2
21	BY 708 112 010	round reflector white d60	2
22	BB 221 104 160	pop plug alu 3.9x16 din 7337 a	4
23	BS 502 000 800	self locking nut m8 din 985	24
24	BS 532 008 223	washer m8x22x1.5	10
25	BY 709 600 602	support pot 48 x 700mm	1
26	BS 512 001 030	bolt m10x30 din 933	4
27	BS 511 001 243	bolt m12x55 din 931	2
28	BW 054 055 000	kw 155/70r13c sec/4,0jx13/4/60/100et30 3 plies max437 kg	2
29	BS 512 301 220	bolt m12x1.5x20 din 961	8
30	BS 502 001 200	self locking nut m12 din 985	6
31	BY 709 601 100	klemverbinding asdissel	1
32	BY 726 020 080		1
33	BY 707 120 502	backlight right	1
34	MPA 01 074 030	chassis trailer	1
35	BS 522 500 820	screw m8x20 iso 7380	2
36	BS 532 010 305	washer m10x30x2.5	12
37	BY 707 120 501	backlight left	1
38	BY 707 120 503	cable 5m 7 pol	1
39	BY 708 122 010	reflector yellow 60mm screw	2
40	BS 512 001 045	bolt m10x65 din 933	1
41	BS 501 001 000	nut m10 din 934	2
42	BB 221 103 100	pop plug alu 3x10 din 7337 a	4
43	MPA 01 052 680	identification plate	1
44	BS 512 001 048	bolt m10x80 din 933	1
45	BS 511 001 048	bolt m10x80 din 931	4
46	MPA 01 074 440	spacer ring tension engine	2
47	BS 512 000 825	bolt m8x25 din 933	7
48	MPA 01 054 210	countre plate safety bar	1
49	BS 531 000 600	washer m6 din 125	10
50	BS 511 000 630	bolt m6x30 din 931	2
51			0
52	BS 501 901 202	nut m12x1 din 439b	1

53	BS 351 601 624	spring loaded plunjer m16x24	1
54	BN 000 212 550	locking bolts with locking groove	1
55	MPA 01 054 150	connecting plate cable	1
56	BS 512 000 812	bolt m8x12 din 933	2
57	BS 534 000 800	lock washer m8 din 6798a	2
58	BR 600 130 301	antivibration blocks 30x30b m8x16	2
59	MPA 01 054 200	safety bar	1
60	BS 512 000 620	bolt m6x20 din 933	4
61	MPA 01 054 230	front fixation rubber protection	1
62	BR 902 000 010	transparant rubber	1
63	MPA 01 054 220	back fixation rubber protection	1
64	BS 502 000 600	self locking nut m6 din 985	4
65	BS 501 000 600	nut m6 din 934	2
66	BH 400 401 101	hydraulic valve sd5-1	1
67	BS 554 100 844	bolt m8x60 din 603	3



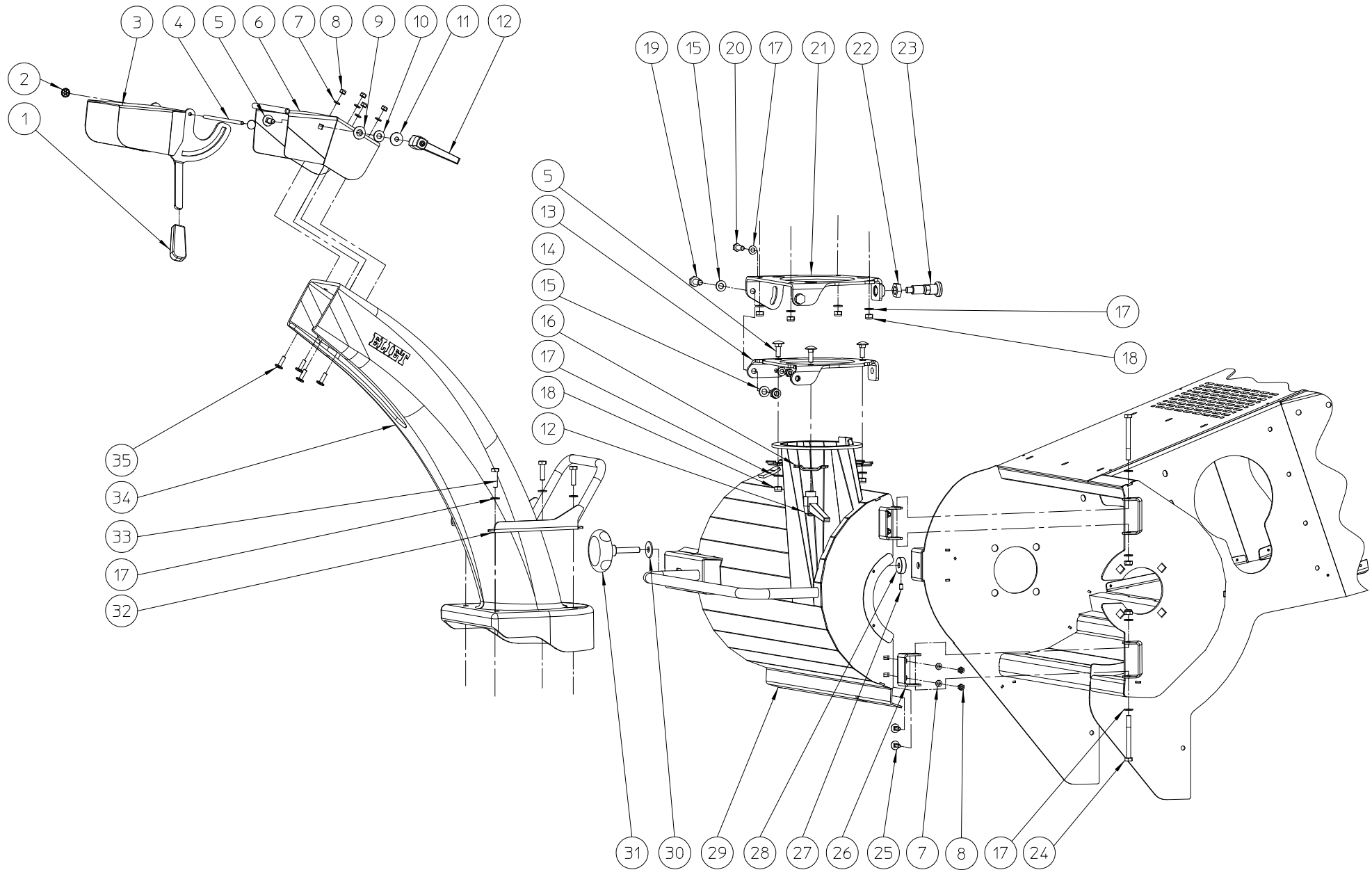
ELIET PROF6 – FEEDER CONTROL				
NO	MMA 01 054 140	REV	1	DATE 2021/02/11

#	Order nr	article description	quantity
1	BS 512 000 820	bolt m8x20 din 933	2
2	BS 531 000 800	washer m8 din 125	9
3	MPA 01 440 600	leaver	2
4	BS 554 100 820	bolt m8x20 din 603	4
5	BS 502 000 800	self locking nut m8 din 985	8
6	BR 112 101 490	nylon bushing with collar (10/14/17.5x14/1)	2
7	MPA 01 054 170	command intake roll	1
8	BS 512 000 542	bolt m5x50 din 933	1
9	BS 501 000 500	nut m5 din 934	2
10	BS 531 200 600	washer m6 din 7349	1
11	BR 112 060 800	nylon bushing with collar (6/10/15x8.5/2)	2
12	BE 120 040 070	magnet maestro	1
13	BV 911 000 050	compression spring 1.5 x 15 x 28	1
14	MPA 01 054 180	traction support bar	1
15	BS 551 000 830	eye bolt m8x30 din 444	1
16	BA 230 010 800	ball joint m8	2
17	MPA 01 054 190	traction support bar	1
18	BR 020 501 250	tube cap Ø 25mm	2
19	MPA 01 054 870	command distribution block	1
20	BS 501 000 800	nut m8 din 934	3



ELIET PROF6 - ELECTRICAL SYSTEM					
NO	MMA 01 054 150	REV	1	DATE	2021/02/18

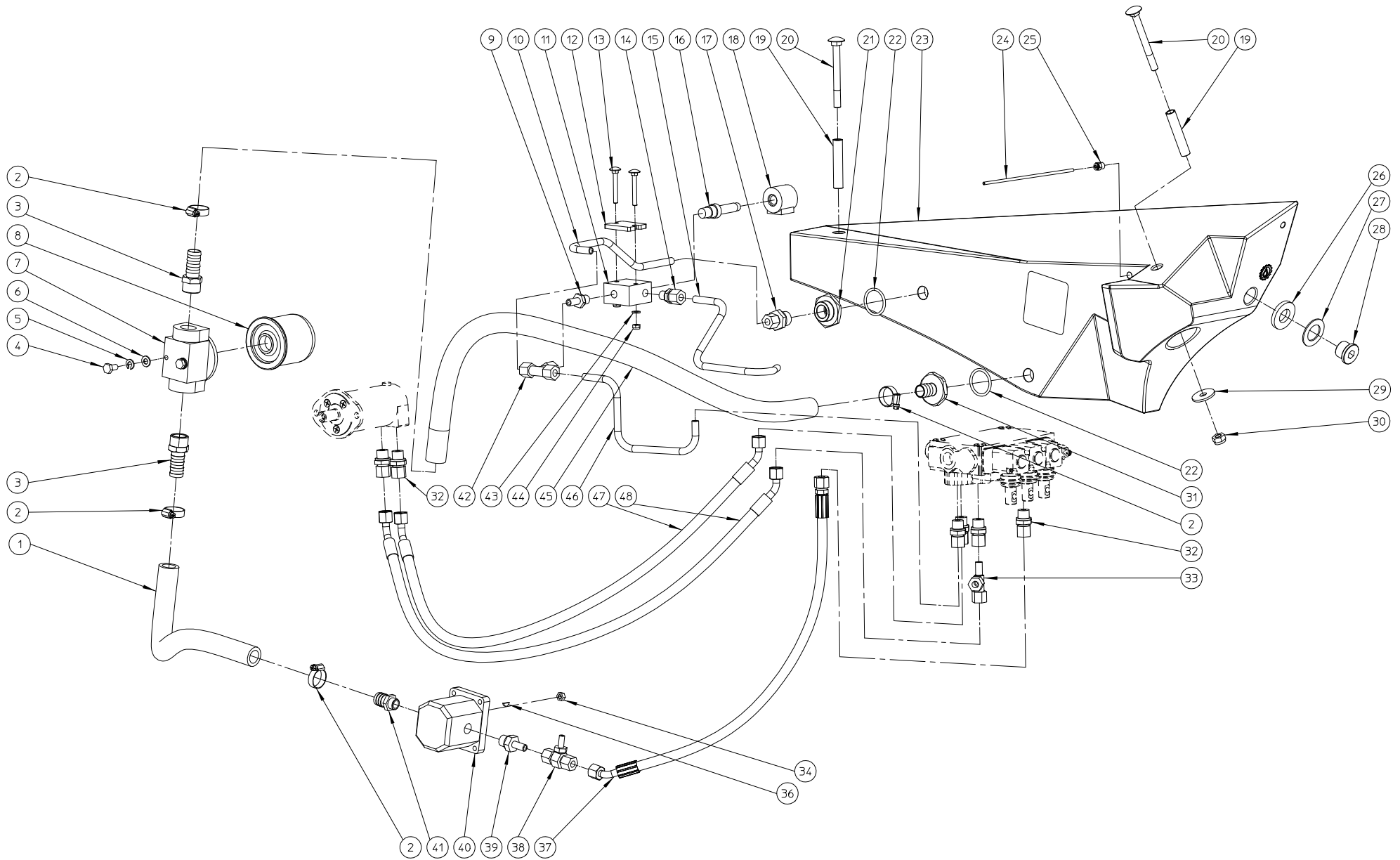
#	Order nr	article description	quantity
1	BR 000 206 203	rubber grommets	1
2	BS 531 000 400	washer m4 din 125	10
3	BS 505 500 400	nut m4 din 1587	2
4	BH 410 001 410	valve plug with cable din43650	1
5	BE 033 002 300	connecting clamp	4
6	BE 094 012 650		1
7	BE 033 002 200	connecting clamp	2
8	BE 071 070 901		5
9	BE 071 080 901		5
10	BS 549 014 209	screw Ø4.2x9 din 7981	4
11	BE 033 002 100	connecting clamp	3
12	BE 099 005 403		1
13	BE 141 511 072	electric box ip55	1
14	BE 400 010 500	sensor	1
15	BR 701 010 150	terminal cover	1
16	BS 502 000 600	self locking nut m6 din 985	2
17	BS 531 000 600	washer m6 din 125	2
18	BS 554 100 620	bolt m6x20 din 603	2
19	BE 240 120 300	battery 12v 30ah	1
20	BE 090 281 031	red wire 16mm ² - 1030mm	1
21	BE 090 180 371	black wire 16mm ² - 370mm	1
22	BE 071 082 000	locknut m20	1
23	BE 099 005 401	connector vanguard engine	1
24	BE 700 054 000	pcb prof 6	1
25	BE 036 000 700	ticolor led indicator	1
26	BS 541 000 420	screw m4x20 din 84	4
27	MPA 01 054 830		1
28	BS 502 000 400	self locking nut m4 din 985	4
29	BS 531 000 800	washer m8 din 125	2
30	BS 512 000 820	bolt m8x20 din 933	1
31	BS 502 000 800	self locking nut m8 din 985	1
32	BE 400 010 600	sensor	1
33	BE 099 005 402		1
34	BE 120 030 020	safety switch	1
35	BE 122 710 001	pressure button red with lock	1
36	BS 541 000 416	screw m4x16 din 84	4



ELIET PROF6 – EJECTION ASSEMBLY

NO	MMA 01 054 160	REV	1	DATE	2021/02/18
----	----------------	-----	---	------	------------

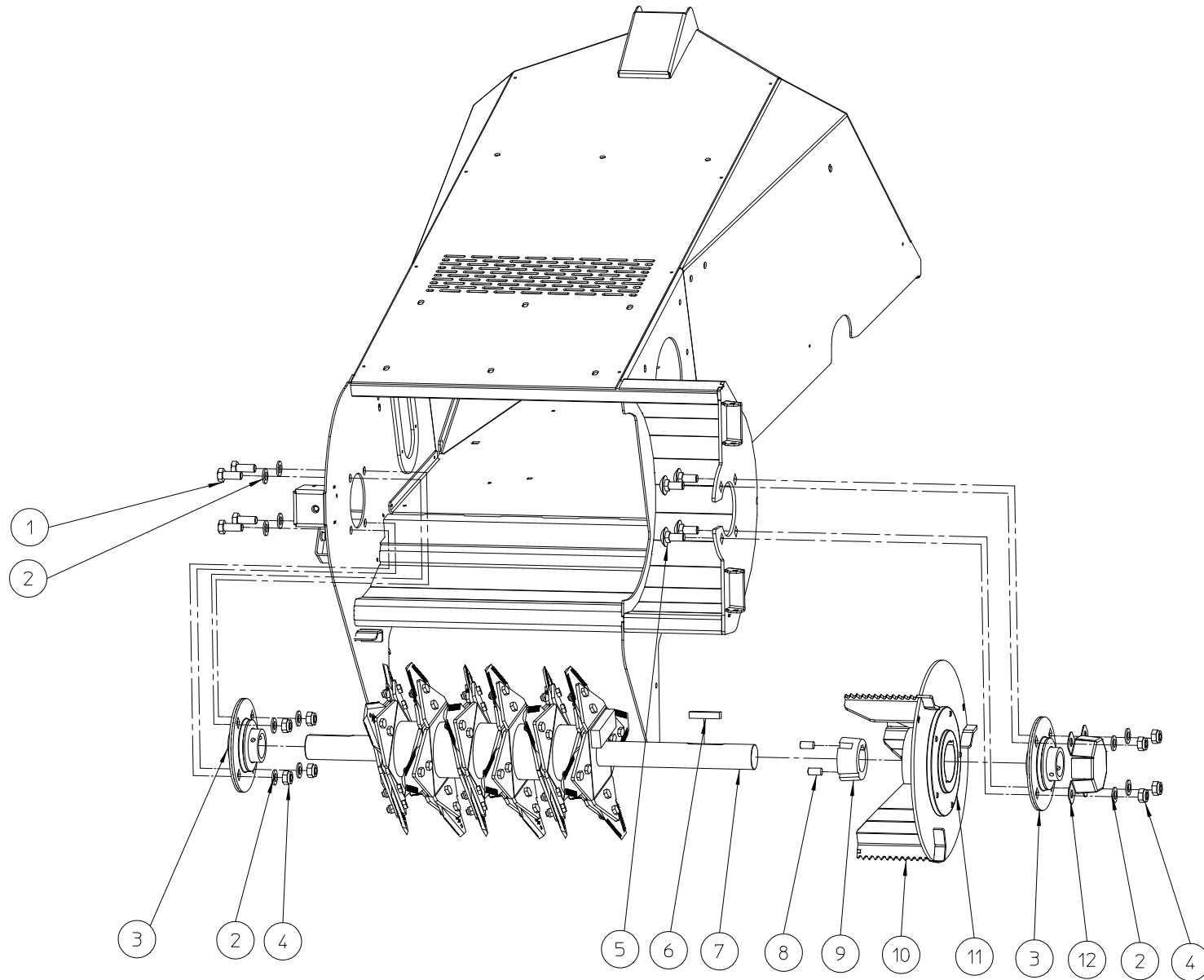
#	Order nr	article description	quantity
1	BN 230 100 202	plastic handgripp 15x5x6 pvc	1
2	BB 011 000 060	starlock 6mm	2
3	MPA 01 054 260	discharge director	1
4	MPA 01 052 670	hinge axle valve through tube	1
5	BS 554 100 825	bolt m8x25 din 603	4
6	MPA 01 054 290	support discharge director	1
7	BS 531 000 600	washer m6 din 125	8
8	BS 502 000 600	self locking nut m6 din 985	8
9	BR 111 120 100	nylon bushing (12.2x24x1.3)	1
10	BR 111 100 200	nylon bushing (10.5/21x2.5)	1
11	BS 532 008 253	washer m8x25x1.5	1
12	BN 530 108 800	clamp levers	2
13	MPA 01 054 280	rotation ring discharge chute	1
14	BS 502 001 000	self locking nut m10 din 985	2
15	BS 531 001 000	washer m10 din 125	4
16	MPA 01 073 520	tube connection	3
17	BS 531 000 800	washer m8 din 125	16
18	BS 502 000 800	self locking nut m8 din 985	9
19	BS 512 001 025	bolt m10x25 din 933	2
20	BS 512 000 825	bolt m8x25 din 933	1
21	MPA 01 054 270	support rotation ring	1
22	BS 501 901 601	nut m16x1.50 din 439	1
23	BN 000 216 580	indexing plunger m16 x 1.5	1
24	BS 511 000 848	bolt m8x80 din 931	2
25	BS 554 100 620	bolt m6x20 din 603	4
26	MPA 01 054 980	hinge back cover	2
27	BS 023 000 610	set screw m6x10 din 916	1
28	MPA 01 054 890	nut back cover	1
29	MPA 01 054 250	back cover	1
30	BS 532 010 305	washer m10x30x2.5	1
31	BN 630 410 420	lob knob	1
32	MPA 01 073 280	handle ejection	1
33	BS 512 000 830	bolt m8x30 din 933	4
34	BR 930 070 010	discharge tunnel	1
35	BS 552 100 620	screw m6x20 type kf	4



ELIET PROF6 – HYDRAULIC TRACTION

NO	MMA 01 054 170	REV	2	DATE	2021/02/18
----	----------------	-----	---	------	------------

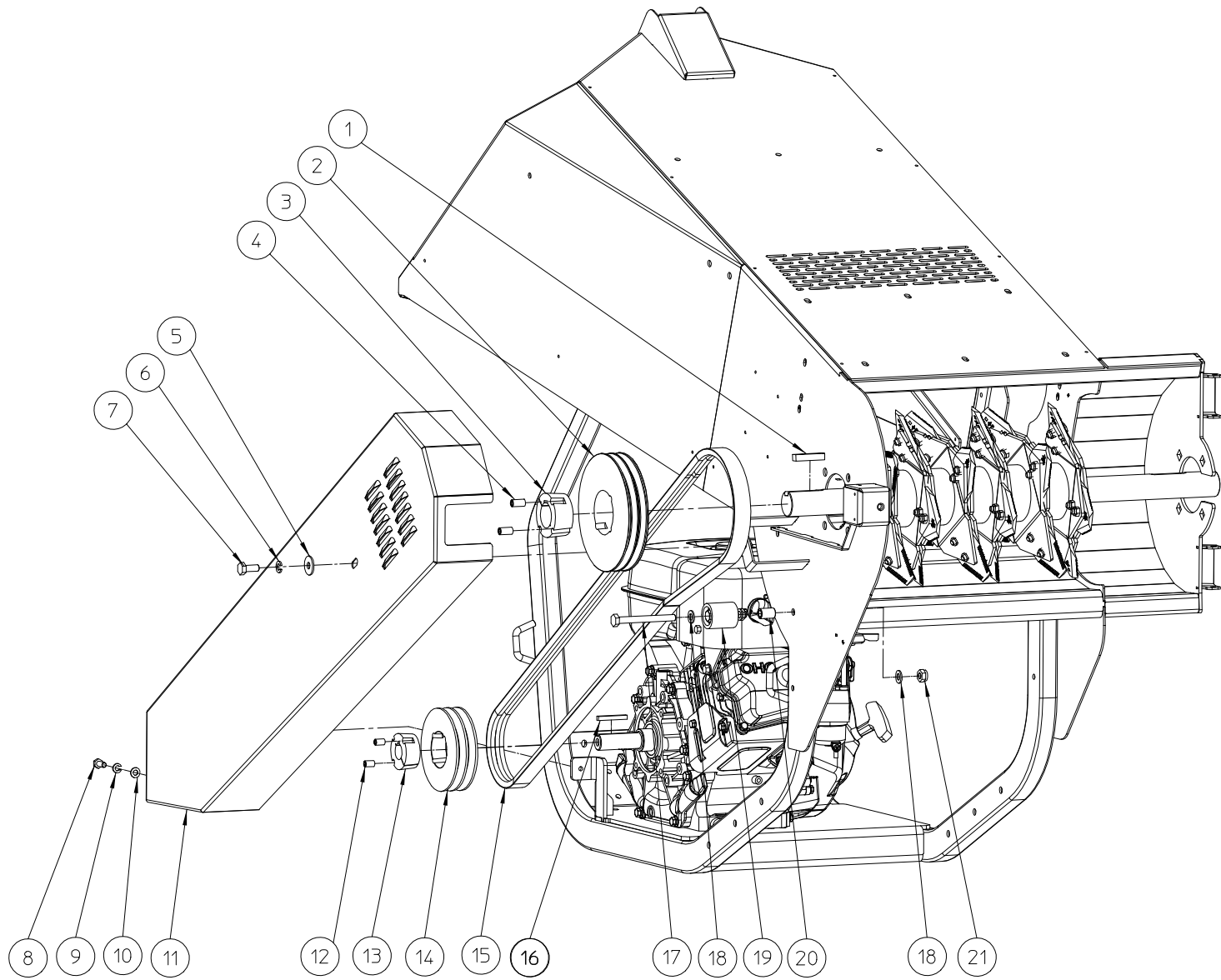
#	Order nr	article description	quantity
1	BR 212 019 053	hose Ø:19mm lg:53cm	1
2	BT 670 117 290	hose clamp 17x29mm	4
3	BT 136 261 219	adaptor Ø 19mm - 3/4"	2
4	BS 512 000 816	bolt m8x16 din 933	2
5	BS 533 000 800	lock washer m8 din 127b	2
6	BS 531 000 800	washer m8 din 125	2
7	BH 280 612 120	support hydraulic filter 3/4"	1
8	BH 280 212 010	filter element 3/4"	1
9	BH 512 611 004	standpipe adaptor 10lx1/4"	1
10	MPA 01 054 720	return tube	1
11	BH 410 001 610		1
12	MPA 01 054 540	support electrovanne	1
13	BS 554 100 642	bolt m6x50 din 603	2
14	BH 509 211 004	male stud coupling 10lx1/4"	1
15	MPA 01 054 710	electrovanne tube	1
16	BH 410 001 620	valve bolt	1
17	BH 509 211 008	male stud coupling 10lx1/2"	1
18	BH 410 001 630	valve bolt	1
19	MPA 01 054 530	tube support tank	2
20	BS 554 101 050	bolt m10x100 din 603	2
21	MPA 01 311 360	connector mf1/2"x1/2"	1
22	BH 812 345 350	o-ring 34,52 x 3,53 mm viton	2
23	BY 717 212 010		1
24	BH 646 020 040	hose blue 20cm	1
25	BH 642 020 040	plug-in coupling 1/8 "diam 4 mm	1
26	BR 901 204 406		1
27	MPA 01 054 970	washer	1
28	BH 518 501 200	plug allen 3/4 r	1
29	BS 532 010 356	washer m10x35x3	2
30	BS 502 001 000	self locking nut m10 din 985	2
31	MPA 01 073 890	adaptor Ø 20mm - 1/2"	1
32	BH 509 211 006	male stud coupling 10lx3/8"	6
33	BH 512 111 000	rotary l-fitting female 10l	1
34	BS 501 000 700	nut m7 din 934	1
36	BB 321 020 512	key 2x5x12.65 din 6888	1
37	BH 551 040 630	flexible hydraulic hose 1/4"x630	1
38	BH 563 000 100	manometer coupler 10lxm16x2	1
39	BH 512 671 006	standpipe adaptor 10sr3/8"	1
40	BH 210 103 200	hydraulic pump 3.2cc	1
41	BT 136 260 620		1
42	BH 510 011 000	equal tee 10l	1
43	BS 531 000 600	washer m6 din 125	2
44	BS 502 000 600	self locking nut m6 din 985	2
45	BR 212 019 092	hose Ø:19mm lg:92cm	1
46	MPA 01 054 700	return hydr. oil	1
47	BH 551 040 870	flexible hydraulic hose 1/4"x870	1
48	BH 551 040 890	flexible hydraulic hose 1/4"x895	1



ELIET PROF6 – ROTOR

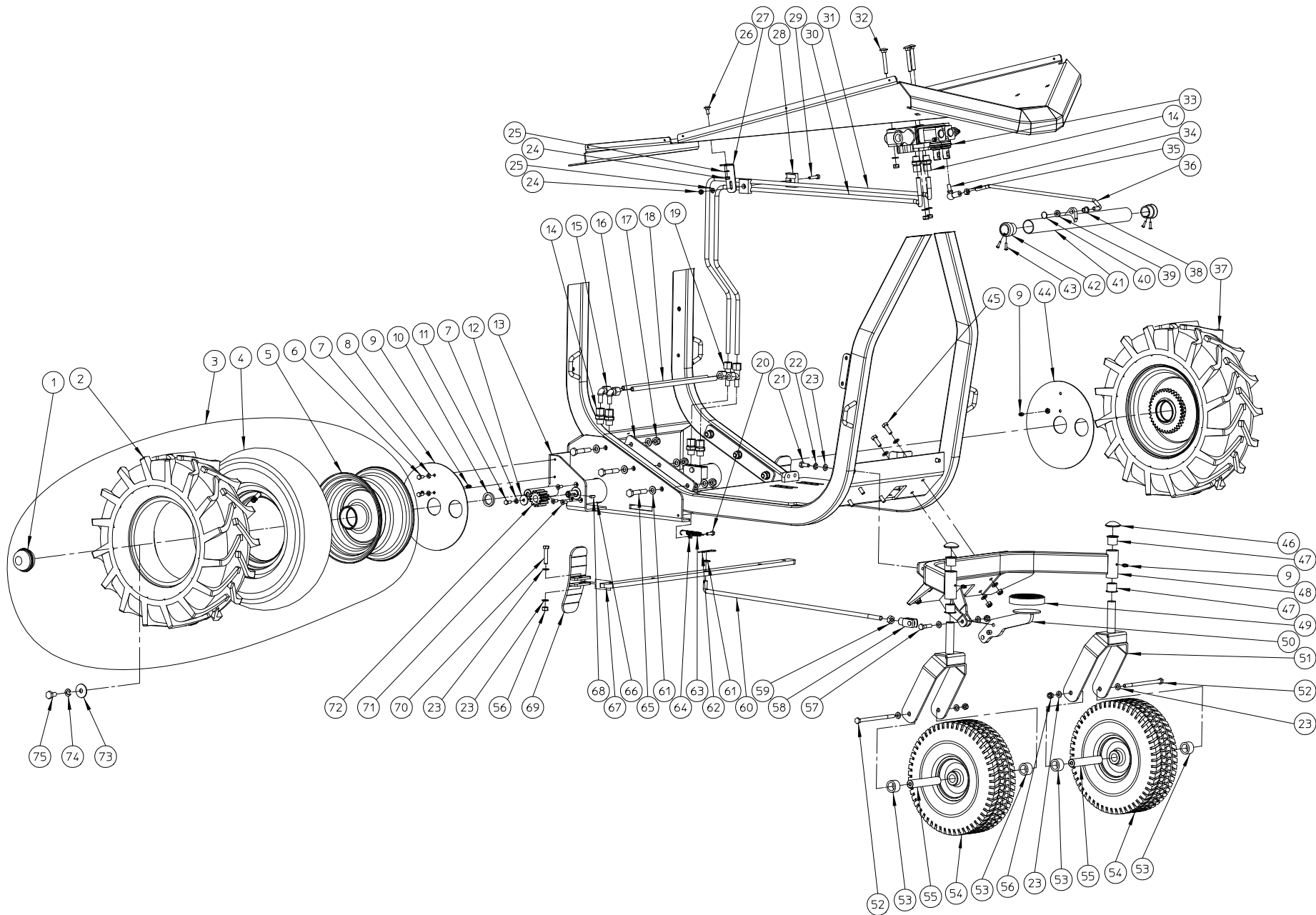
NO	MMA 01 054 180	REV	1	DATE	2021/02/11
----	----------------	-----	---	------	------------

#	Order nr	article description	quantity
1	BS 512 001 230	bolt m12x30 din 933	4
2	BS 531 001 200	washer m12 din 125	12
3	BL 801 604 001	kit bearing ucpf 208 complete	2
4	BS 502 001 200	self locking nut m12 din 985	8
5	BS 554 101 230	bolt m12x30 din 603	4
6	BB 341 121 050	key 12x10x50 din 6880	1
7	MPA 01 054 310	rotor	1
8	BB 501 311 220	set screw 7/16"x7/8"	2
9	BB 501 154 000	taper lock tl 2012-40	1
10	MPA 01 470 190	fan 3 vanes	1
11	BA 281 753 201	flange Ø175x32 - tl 2012	1
12	MPA 01 054 580	protection bearing	1



ELIET PROF6 – TRANSMISSION					
NO	MMA 01 054 190	REV	1	DATE	2021/02/11

#	Order nr	article description	quantity
1	BB 341 121 050	key 12x10x50 din 6880	1
2	BA 562 718 020	pulley spa ii 180 tl2012	1
3	BB 501 154 000	taper lock tl 2012-40	1
4	BB 501 311 220	set screw 7/16"x7/8"	2
5	BS 532 010 305	washer m10x30x2.5	1
6	BS 533 001 000	lock washer m10 din 127b	1
7	BS 512 001 025	bolt m10x25 din 933	1
8	BS 512 000 820	bolt m8x20 din 933	1
9	BS 533 000 800	lock washer m8 din 127b	1
10	BS 531 000 800	washer m8 din 125	1
11	MPA 01 054 320	protective beltcover	1
12	BB 501 310 160	set screw 3/8"x5/8"	2
13	BB 501 231 600	taper lock tl 1610-1"	1
14	BA 562 712 520	pulley spa ii 125 tl1610	1
15	BA 552 222 400	belt xpa 2240/2	1
16	BB 342 060 650	key 6.35x6.35x50 din 6880	1
17	BS 512 001 050	bolt m10x100 din 933	1
18	BS 531 001 000	washer m10 din 125	2
19	BA 599 006 200	idler roller Ø44	1
20	MPA 01 054 820	spacer	1
21	BS 502 001 000	self locking nut m10 din 985	1

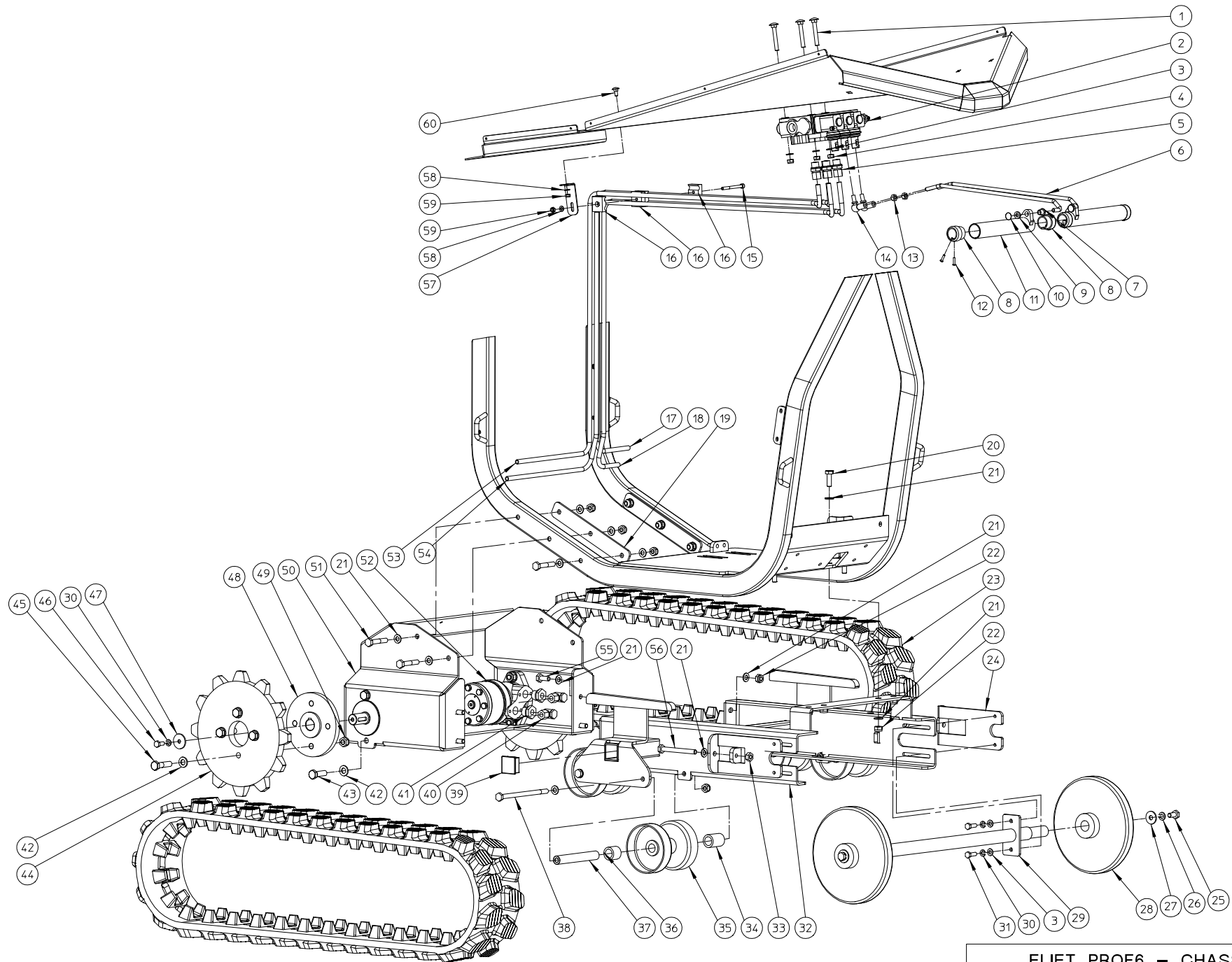


ELIET PROF6 – CHASSIS – ON WHEELS

NO	MMA 01 054 200	REV	1	DATE	2021/02/11
----	----------------	-----	---	------	------------

#	Order nr	article description	quantity
1	BY 728 035 520		0
2	BW 910 430 020		0
3	BW 041 025 021		1
4	BW 910 430 030		0
5	BW 708 025 070		0
6	BS 512 000 614	bolt m6x14 din 933	4
7	BS 533 000 600	lock washer m6 din 127b	6
8	MPA 01 054 340	wheel protection - left	1
9	BY 100 106 100	grease fitting m6 din 71412	4
10	MPA 01 054 570	washer	2
11	BS 512 000 616	bolt m6x16 din 933	2
12	BS 532 006 276	washer m6x27x3	2
13	MPA 01 054 370	support plate tire	1
14	BH 509 211 006	male stud coupling 10lx3/8"	6
15	BH 511 911 000	angular rotary fitting 10l	2
16	MPA 01 054 500	reinforcement plate	2
17	BS 502 001 000	self locking nut m10 din 985	6
18	MPA 01 054 440	hydraulic tubes	2
19	BH 512 111 000	rotary l-fitting female 10l	2
20	BS 512 000 620	bolt m6x20 din 933	2
21	BS 512 000 820	bolt m8x20 din 933	2
22	BS 533 000 800	lock washer m8 din 127b	2
23	BS 531 000 800	washer m8 din 125	25
24	BS 502 000 600	self locking nut m6 din 985	2
25	BS 531 000 600	washer m6 din 125	2
26	BS 554 100 616	bolt m6x16 din 603	1
27	MPA 01 051 325	support fixation	1
28	BH 711 020 110	pipe clamp rbpr-110	1
29	BS 521 100 630	screw m6x30 din 912	1
30	MPA 01 054 430	hydraulic pipe	1
31	MPA 01 054 420	hydraulic pipe	1
32	BS 554 100 844	bolt m8x60 din 603	3
33	BH 400 401 201	hydraulic valve sd5-2	1
34	BA 230 010 800	ball joint m8	1
35	BS 501 000 800	nut m8 din 934	1
36	MPA 01 054 510	control rod distr. block	1
37	BW 041 025 020		1
38	BR 112 081 300	nylon bushing with collar (8/11/16x13/2)	1
39	BR 111 080 300	nylon bushing (8,2/16x3)	1
40	BB 011 000 080	starlock 8mm	1
41	MPA 01 073 430	command tube	1
42	BR 910 000 010	nylon bushing with collar (25/30/34x30/15)	2
43	BB 221 104 160	pop plug alu 3.9x16 din 7337 a	4
44	MPA 01 054 330	wheel protection - right	1
45	BS 512 000 825	bolt m8x25 din 933	5
46	BB 011 000 200	starlock 20mm	2
47	BR 112 202 100	nylon bushing with collar (20/24/29x21/1)	4
48	MPA 01 054 380	support front tires	1
49	BR 900 000 110	rubber socks dia 90x18mm	1
50	MPA 01 054 350	brake	1
51	MPA 01 054 410	fixation part front tires	2
52	BS 511 000 854	bolt m8x140 din 931	2

53	MPA 01 340 380	spacer wheelshaft	4
54	BW 029 020 001	wheel 4.00-4 prof 5	2
55	MPA 01 051 175	wheel shaft caster wheel	2
56	BS 502 000 800	self locking nut m8 din 985	13
57	BS 511 000 835	bolt m8x35 din 931	1
58	BS 556 001 000	fork m10x20 din 71752	1
59	BS 501 001 000	nut m10 din 934	1
60	MPA 01 054 390	brake tube	1
61	BS 531 001 000	washer m10 din 125	13
62	BB 040 102 040	hairpin cotter 2mm din 11024	1
63	BV 912 000 030	spring	2
64	BS 501 000 600	nut m6 din 934	2
65	BS 511 001 044	bolt m10x60 din 931	6
66	BH 331 203 210	hydraulic engine epmm 32cc	2
67	MPA 01 054 400	brake tube	1
68	BB 351 050 516	key 5x5x16 din 6885a	2
69	MPA 01 070 410	belt catcher	2
70	BS 512 000 840	bolt m8x40 din 933	2
71	BS 522 100 616	screw m6x16 din 7991	6
72	BA 603 001 201	gear m3 12t	2
73	BS 532 010 355	washer m10x35x2.5	2
74	BS 533 001 000	lock washer m10 din 127b	2
75	BS 512 001 020	bolt m10x20 din 933	2

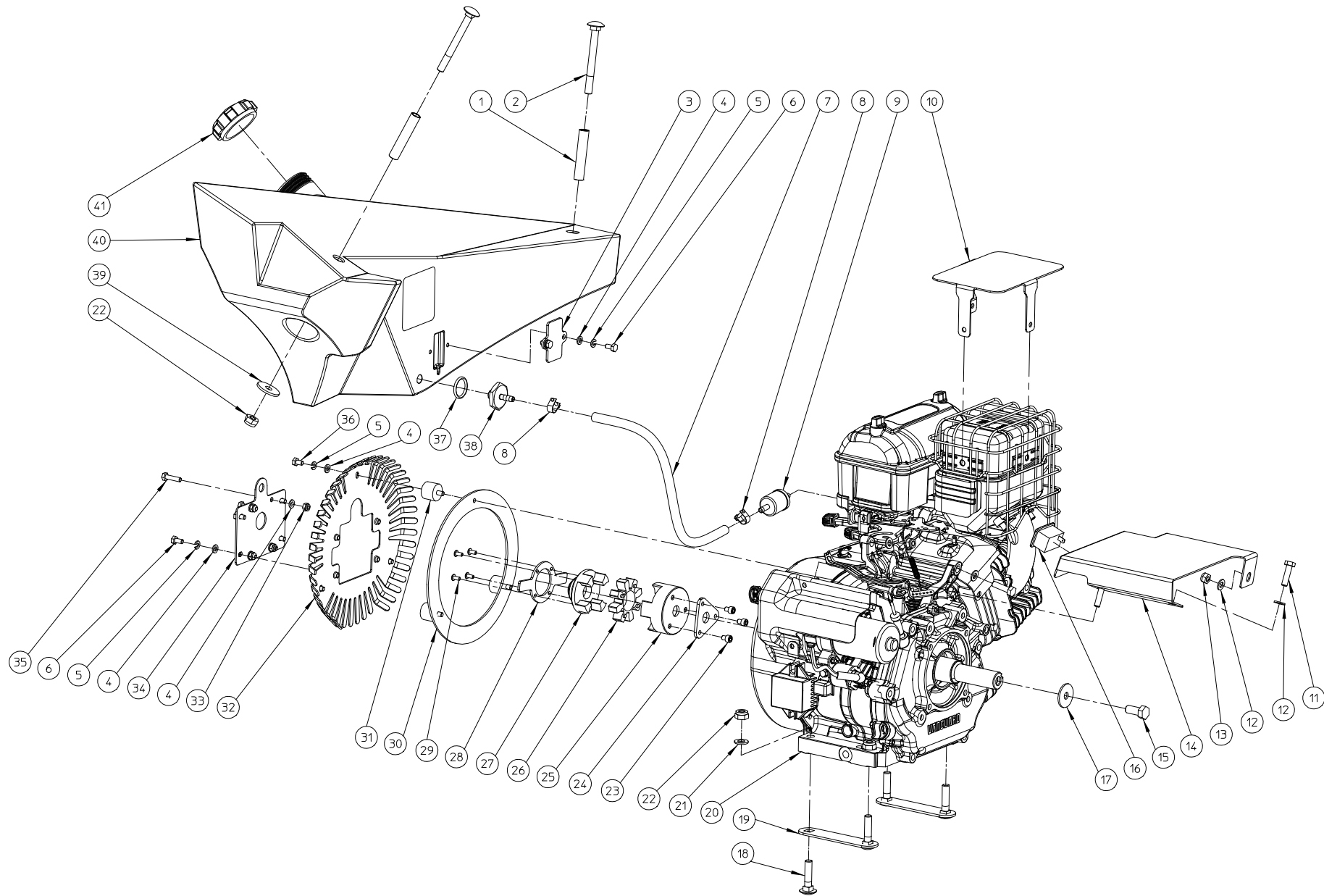


ELIET PROF6 - CHASSIS - CC

NO	MMA 01 054 210	REV	1	DATE	2021/02/11
----	----------------	-----	---	------	------------

#	Order nr	article description	quantity
1	BS 554 100 844	bolt m8x60 din 603	3
2	BH 400 401 301	hydraulic valve sd5-3	1
3	BS 531 000 800	washer m8 din 125	7
4	BS 502 000 800	self locking nut m8 din 985	3
5	BH 509 211 006	male stud coupling 10lx3/8"	4
6	MPA 01 054 510	control rod distr. block	2
7	BR 112 081 300	nylon bushing with collar (8/11/16x13/2)	2
8	BR 910 000 010	nylon bushing with collar (25/30/34x30/15)	4
9	BR 111 080 300	nylon bushing (8,2/16x3)	2
10	BB 011 000 080	starlock 8mm	2
11	MPA 01 073 440	control pipe cross country	2
12	BB 221 104 160	pop plug alu 3.9x16 din 7337 a	8
13	BS 501 000 800	nut m8 din 934	2
14	BA 230 010 800	ball joint m8	2
15	BS 521 100 646	screw m6x70 din 912	1
16	BH 711 020 100	pipe clamp b-10mm	2
17	MPA 01 054 660	hydraulic tube	1
18	MPA 01 054 670	hydraulic tube	1
19	MPA 01 054 500	reinforcement plate	2
20	BS 512 001 030	bolt m10x30 din 933	4
21	BS 531 001 000	washer m10 din 125	34
22	BS 502 001 000	self locking nut m10 din 985	18
23	BW 815 072 340		2
24	MPA 01 054 470	support tightner rubber track	2
25	BS 512 001 020	bolt m10x20 din 933	2
26	BS 533 001 000	lock washer m10 din 127b	2
27	BS 532 010 305	washer m10x30x2.5	2
28	BW 622 725 002		2
29	MPA 01 054 450	support wheels	1
30	BS 533 000 800	lock washer m8 din 127b	6
31	BS 512 000 825	bolt m8x25 din 933	4
32	MPA 01 054 490	support	1
33	BS 501 001 000	nut m10 din 934	2
34	MPA 01 054 640	inside spacer	4
35	BW 611 520 002		4
36	MPA 01 054 630	outside spacer	4
37	MPA 01 054 620	diabolo tube	4
38	BS 511 001 057	bolt m10x170 din 931	4
39	BR 021 140 400	cap 40x40	2
40	BH 513 111 004	banjo 10lx1/4"	4
41	BH 514 100 804	reduction stud (m-f) 1/2"-1/4"	4
42	BS 531 001 200	washer m12 din 125	16
43	BS 512 001 240	bolt m12x40 din 933	4
44	MPA 01 054 460	sprocket	2
45	BS 511 001 242	bolt m12x50 din 931	8
46	BS 512 000 820	bolt m8x20 din 933	2
47	BS 532 008 356	washer m8x35x3	2
48	BA 281 504 502	hub rear wheel Ø12,5mm	2
49	BS 502 001 200	self locking nut m12 din 985	12
50	MPA 01 054 480	support hydr. engine	1
51	BS 511 001 044	bolt m10x60 din 931	6
52	BH 331 525 000	hydraulic engine mr n 250 cd	2

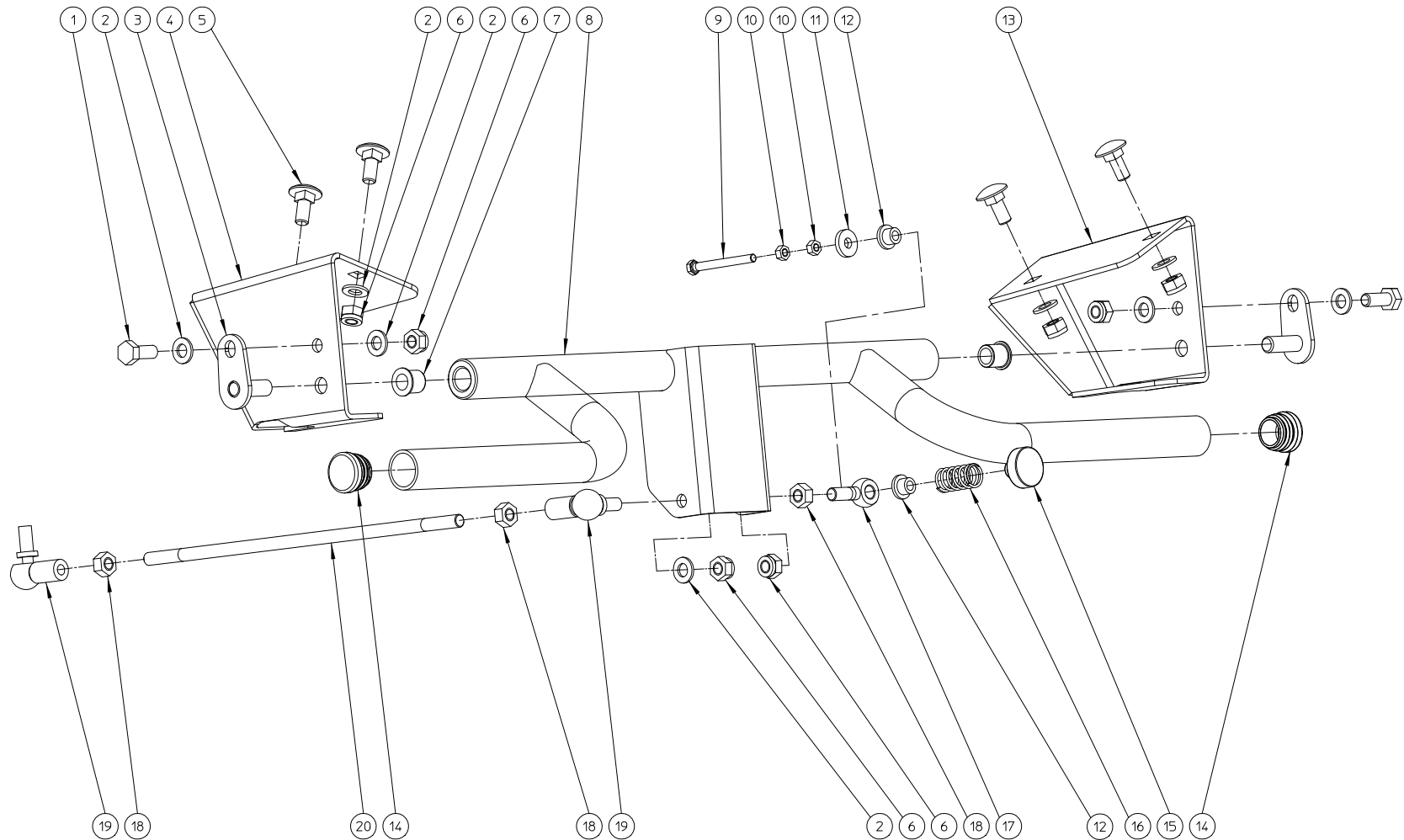
53	MPA 01 054 680	hydraulic tube	1
54	MPA 01 054 690	hydraulic tube	1
55	BS 512 001 025	bolt m10x25 din 933	4
56	BS 512 001 050	bolt m10x100 din 933	2
57	MPA 01 051 325	support fixation	1
58	BS 531 000 600	washer m6 din 125	2
59	BS 502 000 600	self locking nut m6 din 985	2
60	BS 554 100 616	bolt m6x16 din 603	1



ELIET PROF6 – ENGINE VANGUARD

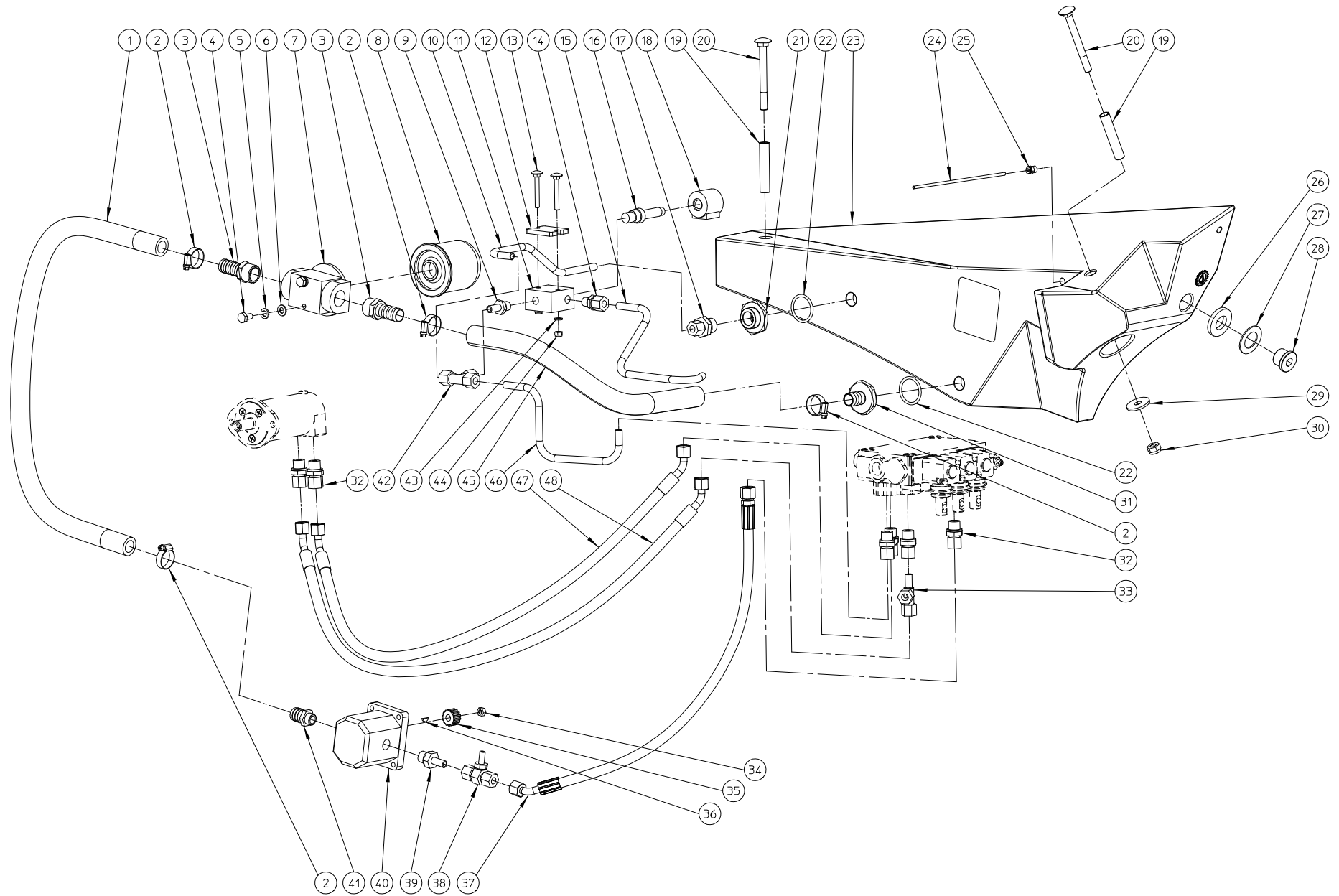
NO	MMA 01 054 240	REV	2	DATE	2021/02/12
----	----------------	-----	---	------	------------

#	Order nr	article description	quantity
1	MPA 01 054 530	tube support tank	2
2	BS 554 101 050	bolt m10x100 din 603	2
3	BR 910 001 040		1
4	BS 531 000 600	washer m6 din 125	13
5	BS 533 000 600	lock washer m6 din 127b	9
6	BS 512 000 612	bolt m6x12 din 933	6
7	BR 202 007 045	fuel hose 7.5x450mm	1
8	BT 670 111 130	hose clamp 11x13mm	2
9	BM 260 493 629	fuel filter	1
10	MPA 01 054 930	protection exhaust	1
11	BS 512 000 830	bolt m8x30 din 933	4
12	BS 531 000 800	washer m8 din 125	8
13	BS 502 000 800	self locking nut m8 din 985	4
14	MPA 01 054 900	engine plate	1
15	BS 511 041 125		1
16	BE 412 430 000	maintenance meter	1
17	BS 532 010 355	washer m10x35x2.5	1
18	BS 554 101 041	bolt m10x45 din 603	4
19	MPA 01 054 880	engine support plates	2
20	BM 201 314 002	b&s 14 hp vanguard 400	1
21	BS 531 001 000	washer m10 din 125	4
22	BS 502 001 000	self locking nut m10 din 985	6
23	BS 521 100 608	screw m6x8 din 912	3
24	MPA 01 054 990	centre piece	1
25	MPA 01 055 120	elastic coupling (engine side)	1
26	BA 201 240 000	elastic coupling rubber flector	1
27	BA 201 220 101	elastic coupling alu flange (pump side)	1
28	MPA 01 073 720	rotation measuring point	1
29	BB 221 005 100	pop plug steel 4.8x10 din 7337 a	4
30	MPA 01 054 610	ventilator reinforcement	1
31	BR 600 225 201	antivibration blocks 25x20b m6x10	3
32	MPA 01 054 600	engine pump support	1
33	BS 502 000 600	self locking nut m6 din 985	4
34	MPA 01 054 780	support pump sensor	1
35	BS 512 000 625	bolt m6x25 din 933	4
36	BS 512 000 610	bolt m6x10 din 933	3
37	BH 812 249 350	o-ring Ø 24,99 x 3,53 mm viton	1
38	MPA 01 311 210	tailpiece	1
39	BS 532 010 356	washer m10x35x3	2
40	BY 717 212 011	petrol tank 11l	1
41	BH 720 505 585	cap for tank	1



ELIET PROF6 – FEEDER CONTROL – OR					
NO	MMA 01 054 260	REV	1	DATE	2021/02/11

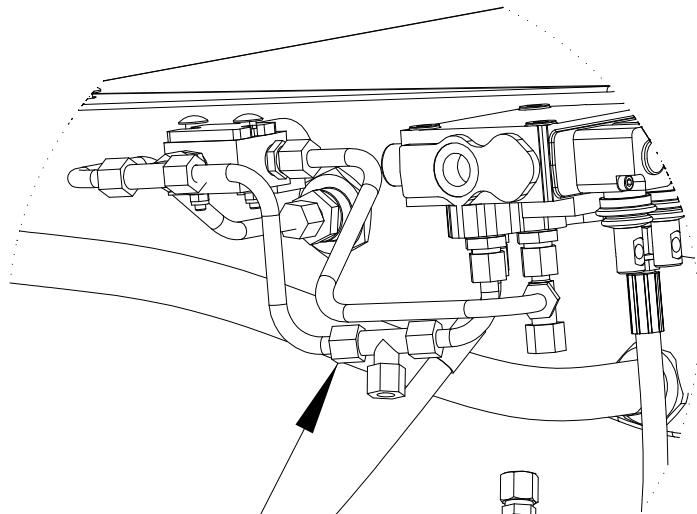
#	Order nr	article description	quantity
1	BS 512 000 820	bolt m8x20 din 933	2
2	BS 531 000 800	washer m8 din 125	9
3	MPA 01 440 600	leaver	2
4	MPA 01 054 960	support traction left side	1
5	BS 554 100 820	bolt m8x20 din 603	4
6	BS 502 000 800	self locking nut m8 din 985	8
7	BR 112 101 490	nylon bushing with collar (10/14/17.5x14/1)	2
8	MPA 01 054 170	command intake roll	1
9	BS 512 000 542	bolt m5x50 din 933	1
10	BS 501 000 500	nut m5 din 934	2
11	BS 531 200 600	washer m6 din 7349	1
12	BR 112 060 800	nylon bushing with collar (6/10/15x8.5/2)	2
13	MPA 01 054 950	support traction right side	1
14	BR 020 501 250	tube cap Ø 25mm	2
15	BE 120 040 070	magnet maestro	1
16	BV 911 000 050	compression spring 1.5 x 15 x 28	1
17	BS 551 000 830	eye bolt m8x30 din 444	1
18	BS 501 000 800	nut m8 din 934	3
19	BA 230 010 800	ball joint m8	2
20	MPA 01 054 870	command distribution block	1



ELIET PROF6 - HYDRAULICS - OR

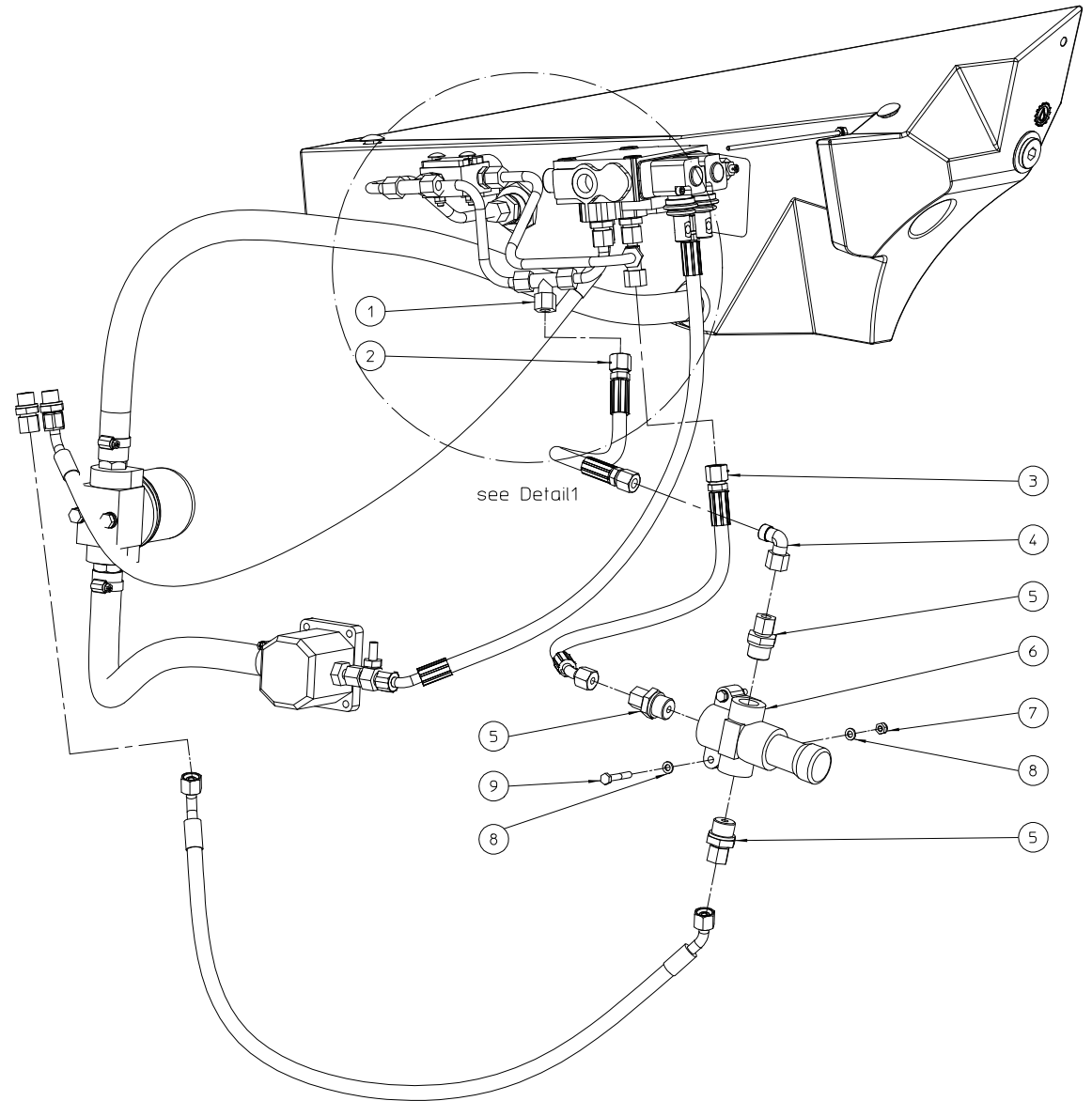
NO	MMA 01 054 270	REV	1	DATE	2021/02/18
----	----------------	-----	---	------	------------

#	Order nr	article description	quantity
1	BR 212 019 085		1
2	BT 670 117 290	hose clamp 17x29mm	4
3	BT 136 261 219	adaptor Ø 19mm - 3/4"	2
4	BS 512 000 816	bolt m8x16 din 933	2
5	BS 533 000 800	lock washer m8 din 127b	2
6	BS 531 000 800	washer m8 din 125	2
7	BH 280 612 120	support hydraulic filter 3/4"	1
8	BH 280 212 010	filter element 3/4"	1
9	BH 512 611 004	standpipe adaptor 10lx1/4"	1
10	MPA 01 054 720	return tube	1
11	BH 410 001 610		1
12	MPA 01 054 540	support electrovanne	1
13	BS 554 100 642	bolt m6x50 din 603	2
14	BH 509 211 004	male stud coupling 10lx1/4"	1
15	MPA 01 054 710	electrovanne tube	1
16	BH 410 001 620	valve bolt	1
17	BH 509 211 008	male stud coupling 10lx1/2"	1
18	BH 410 001 630	valve bolt	1
19	MPA 01 054 530	tube support tank	2
20	BS 554 101 050	bolt m10x100 din 603	2
21	MPA 01 311 360	connector mf1/2"x1/2"	1
22	BH 812 345 350	o-ring 34,52 x 3,53 mm viton	2
23	BY 717 212 010		1
24	BH 646 020 040	hose blue 20cm	1
25	BH 642 020 040	plug-in coupling 1/8 "diam 4 mm	1
26	BR 901 204 406		1
27	MPA 01 054 970	washer	1
28	BH 518 501 200	plug allen 3/4 r	1
29	BS 532 010 356	washer m10x35x3	2
30	BS 502 001 000	self locking nut m10 din 985	2
31	MPA 01 073 890	adaptor Ø 20mm - 1/2"	1
32	BH 509 211 006	male stud coupling 10lx3/8"	6
33	BH 512 111 000	rotary l-fitting female 10l	1
34	BS 501 000 700	nut m7 din 934	1
35	BH 281 201 011	gear wheel z14 25x22 din5482 gr 2/1	1
36	BB 321 020 512	key 2x5x12.65 din 6888	1
37	BH 551 040 630	flexible hydraulic hose 1/4"x630	1
38	BH 563 000 100	manometer coupler 10lxm16x2	1
39	BH 512 671 006	standpipe adaptor 10sr3/8"	1
40	BH 210 103 200	hydraulic pump 3.2cc	1
41	BT 136 260 620		1
42	BH 510 011 000	equal tee 10l	1
43	BS 531 000 600	washer m6 din 125	2
44	BS 502 000 600	self locking nut m6 din 985	2
45	BR 212 019 038		1
46	MPA 01 054 700	return hydr. oil	1
47	BH 551 040 870	flexible hydraulic hose 1/4"x870	1
48	BH 551 040 890	flexible hydraulic hose 1/4"x895	1



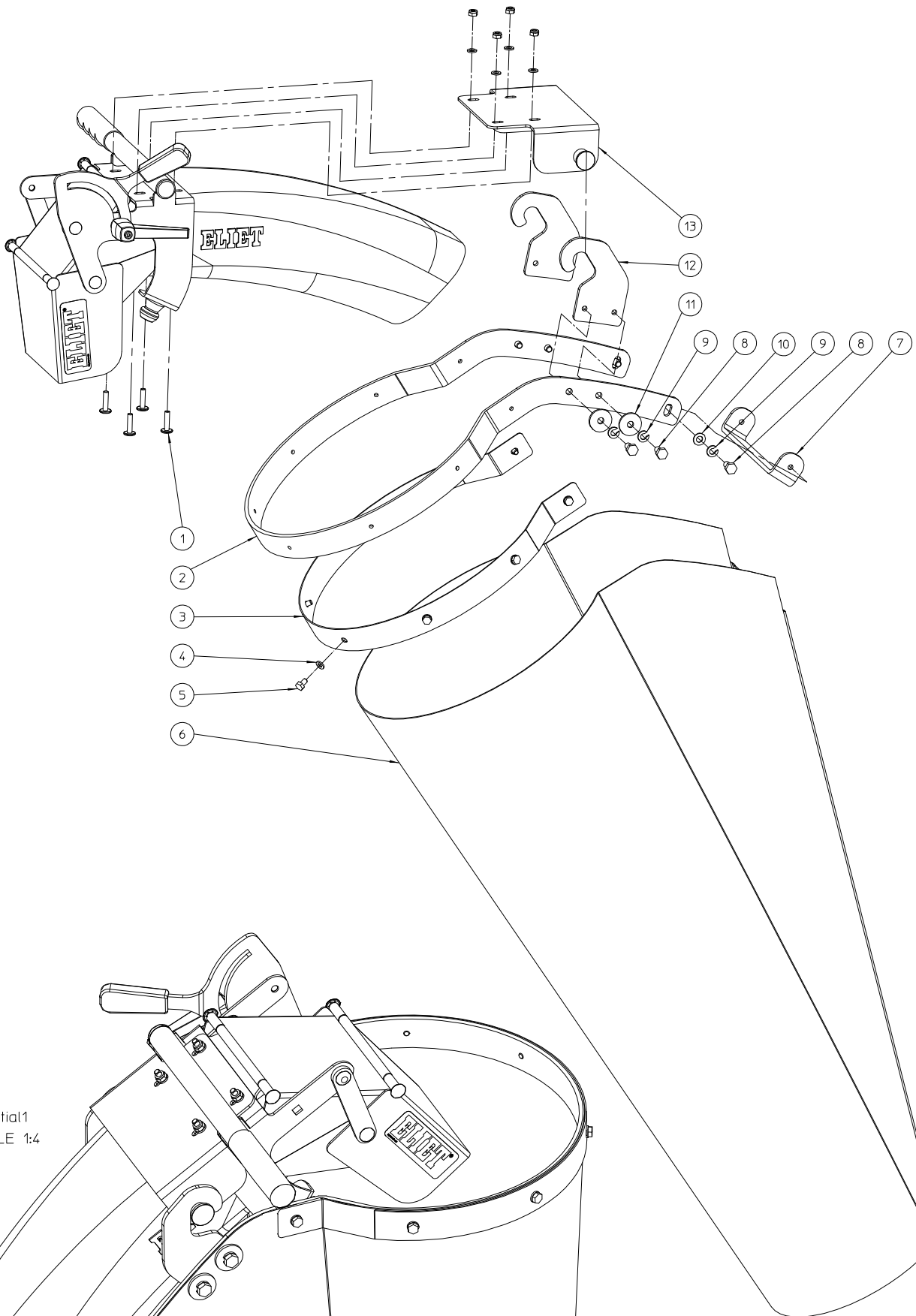
Detail1
SCALE 1:3

Couper 30mm dans le tuyau de retour au tank
Ajouter le raccord hydraulique en T



ELIET PROF6 - FEED-IN SPEED VALVE						
NO	MMA 01 054 280	REV	1	DATE	2021/02/18	

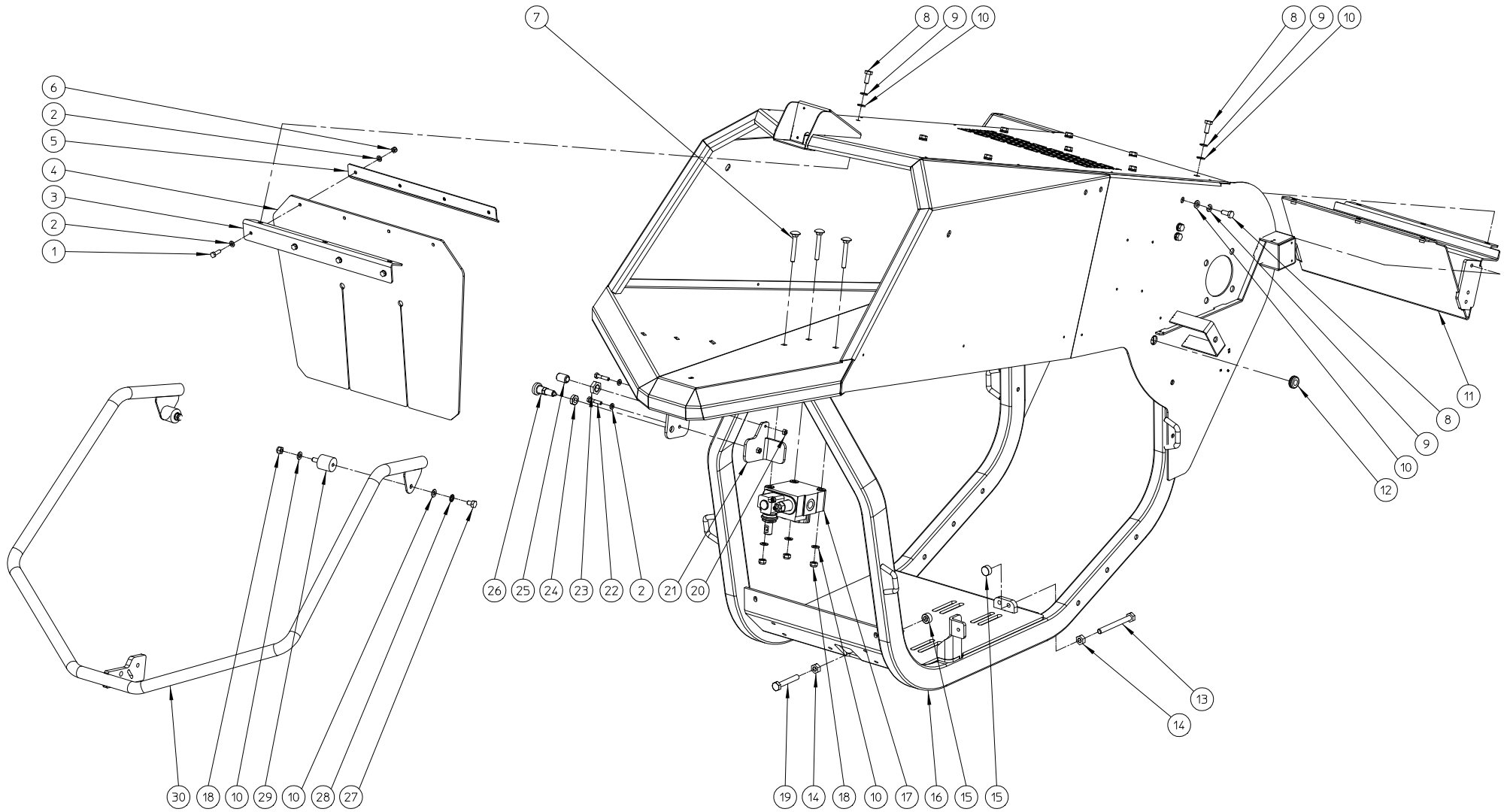
#	Order nr	article description	quantity
1	BH 510 011 000	equal tee 10l	1
2	BH 551 040 300	flexible hydraulic hose 1/4"x300	1
3	BH 551 040 480	flexible hydraulic hose 1/4"x480	1
4	BH 511 951 000	angular rotary fitting	1
5	BH 509 221 022	male stud coupling 10lxm22	3
6	BH 430 012 200	speed controller mtkavar	1
7	BS 502 000 600	self locking nut m6 din 985	2
8	BS 531 000 600	washer m6 din 125	4
9	BS 511 000 640	bolt m6x40 din 931	2



Partial1
SCALE 1:4

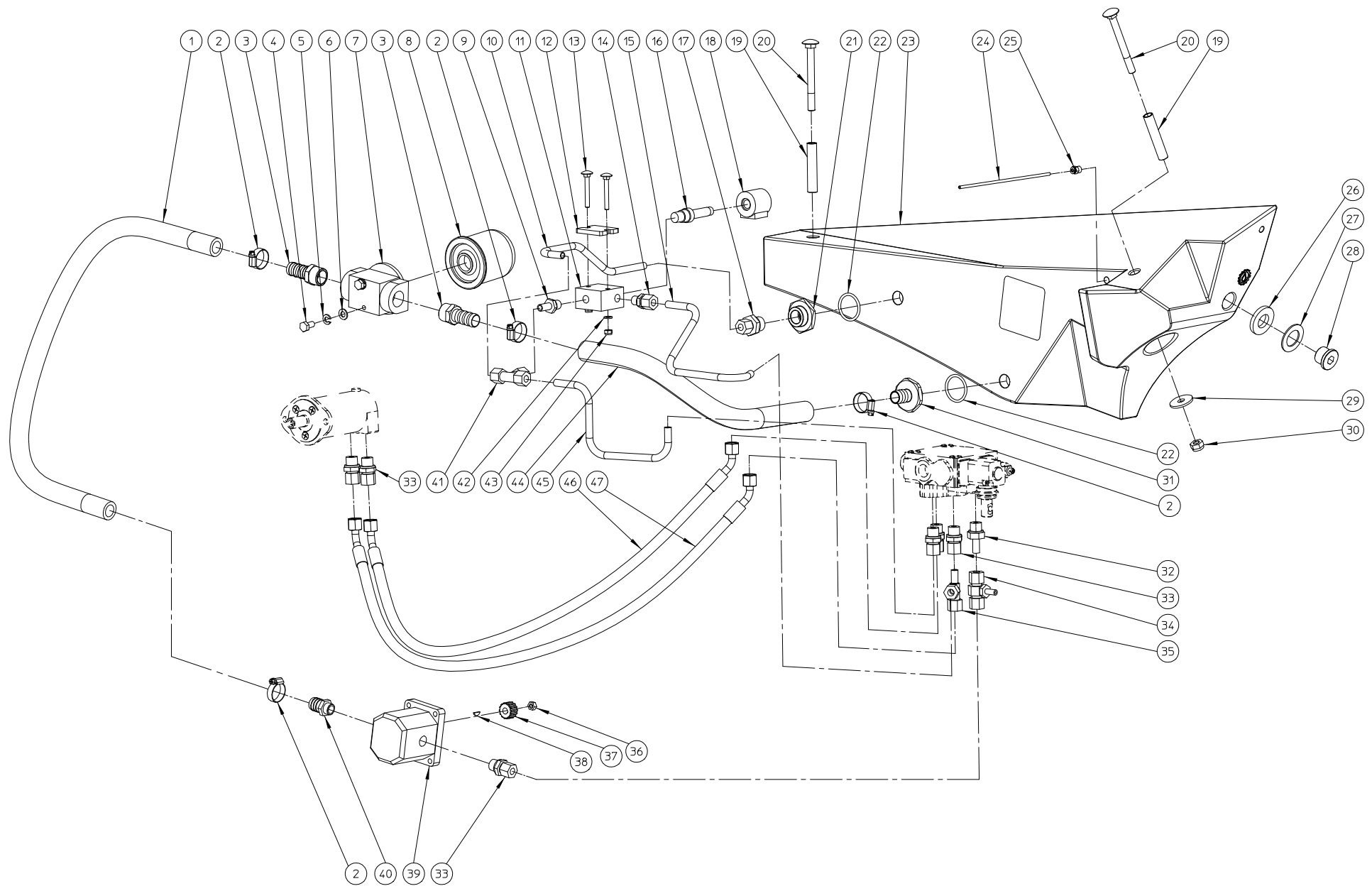
ELIET SP 2015 – COLLECTING BAG					
NO	MMA 01 073 310	REV	1	DATE	2021/02/17

#	Order nr	article description	quantity
1	BS 552 100 625	screw m6x25 type kf	4
2	MPA 01 074 330	support discharge collecting	1
3	MPA 01 074 420		1
4	BS 531 000 600	washer m6 din 125	8
5	BS 512 000 610	bolt m6x10 din 933	8
6	BQ 348 006 010	discharge collecting bag	1
7	MPA 01 074 350	support discharge collecting	1
8	BS 512 000 816	bolt m8x16 din 933	6
9	BS 533 000 800	lock washer m8 din 127b	6
10	BS 531 000 800	washer m8 din 125	2
11	BS 532 008 306	washer m8x30x3	4
12	MPA 01 074 340	hook discharge collecting	2
13	MPA 01 074 320	support discharge collecting	1



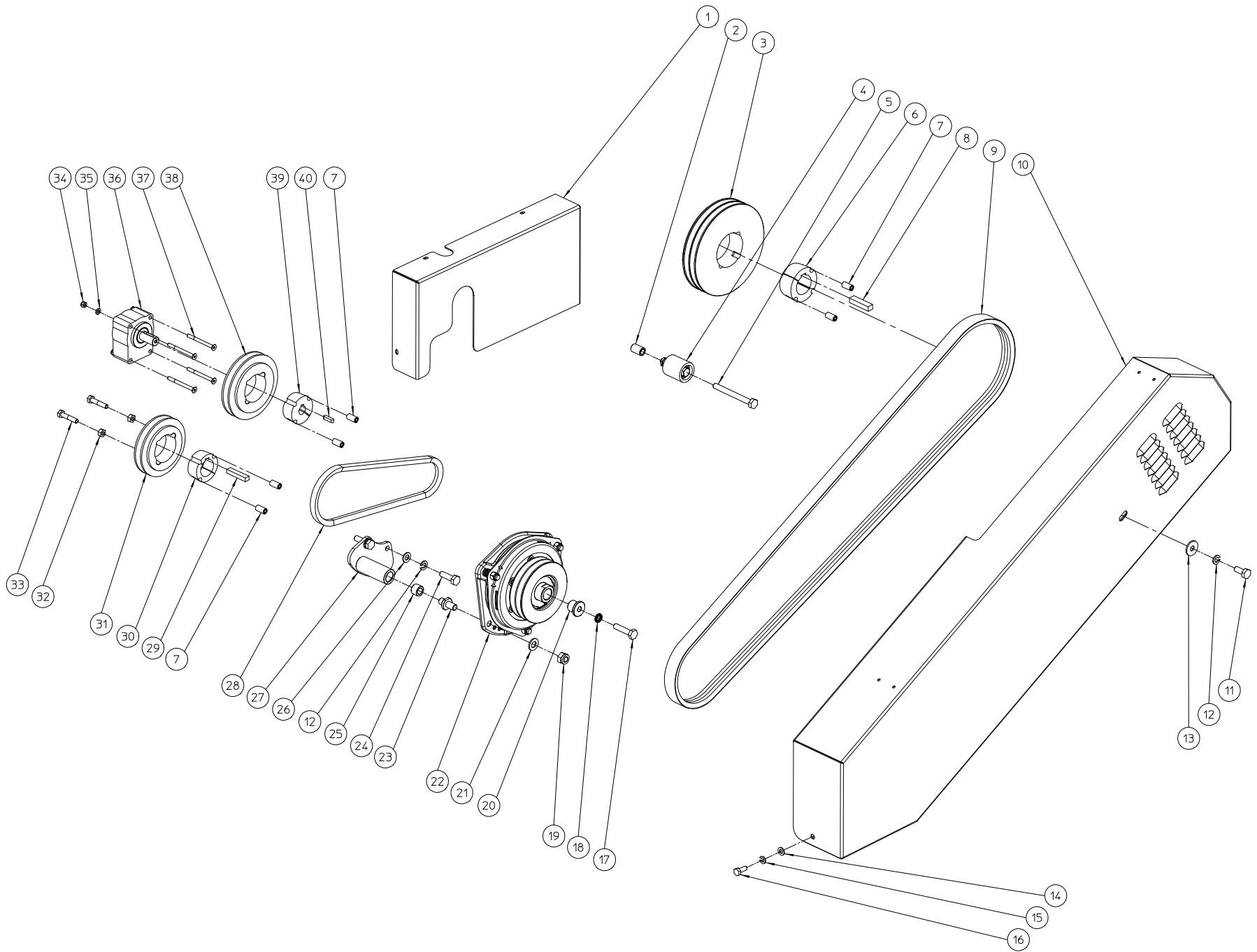
NO	MMA 01 054 610	REV	1	DATE	2021/02/18
----	----------------	-----	---	------	------------

#	Order nr	article description	quantity
1	BS 512 000 620	bolt m6x20 din 933	4
2	BS 531 000 600	washer m6 din 125	10
3	MPA 01 054 230	front fixation rubber protection	1
4	BR 902 000 010	transparant rubber	1
5	MPA 01 054 220	back fixation rubber protection	1
6	BS 502 000 600	self locking nut m6 din 985	4
7	BS 554 100 844	bolt m8x60 din 603	3
8	BS 512 000 820	bolt m8x20 din 933	12
9	BS 533 000 800	lock washer m8 din 127b	12
10	BS 531 000 800	washer m8 din 125	19
11	MPA 01 054 120	anti-return	1
12	BR 000 212 040	grommets 120/200/40	1
13	BS 512 001 050	bolt m10x100 din 933	1
14	BS 501 001 000	nut m10 din 934	2
15	MPA 01 074 440	spacer ring tension engine	2
16	MPA 01 054 050	chassis prof 6 zr cc	1
17	BH 400 401 101	hydraulic valve sd5-1	1
18	BS 502 000 800	self locking nut m8 din 985	5
19	BS 512 001 045	bolt m10x65 din 933	1
20	BS 501 000 600	nut m6 din 934	2
21	MPA 01 054 210	countre plate safety bar	1
22	BS 511 000 630	bolt m6x30 din 931	2
23	BS 501 901 600	nut m16 din 439	1
24	BS 501 901 202	nut m12x1 din 439b	1
25	BS 351 601 624	spring loaded plunjer m16x24	1
26	BN 000 212 550	locking bolts with locking groove	1
27	BS 512 000 812	bolt m8x12 din 933	2
28	BS 534 000 800	lock washer m8 din 6798a	2
29	BR 600 130 301	antivibration blocks 30x30b m8x16	2
30	MPA 01 054 200	safety bar	1



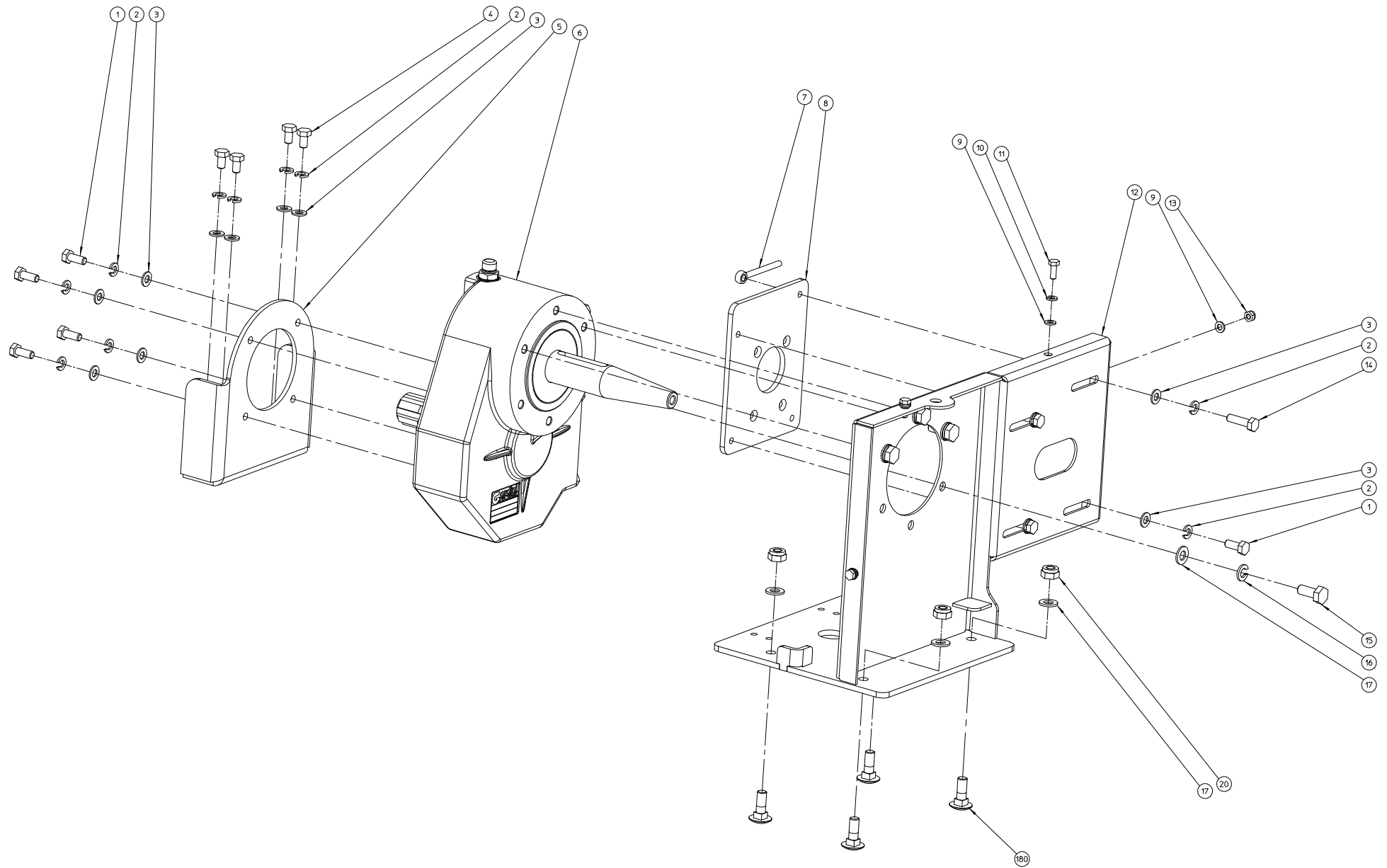
NO	MMA 01 054 620	REV	1	DATE	2021/02/18
----	----------------	-----	---	------	------------

#	Order nr	article description	quantity
1	BR 212 019 085		1
2	BT 670 117 290	hose clamp 17x29mm	4
3	BT 136 261 219	adaptor Ø 19mm - 3/4"	2
4	BS 512 000 816	bolt m8x16 din 933	2
5	BS 533 000 800	lock washer m8 din 127b	2
6	BS 531 000 800	washer m8 din 125	2
7	BH 280 612 120	support hydraulic filter 3/4"	1
8	BH 280 212 010	filter element 3/4"	1
9	BH 512 611 004	standpipe adaptor 10lx1/4"	1
10	MPA 01 054 720	return tube	1
11	BH 410 001 610		1
12	MPA 01 054 540	support electrovanne	1
13	BS 554 100 642	bolt m6x50 din 603	2
14	BH 509 211 004	male stud coupling 10lx1/4"	1
15	MPA 01 054 710	electrovanne tube	1
16	BH 410 001 620	valve bolt	1
17	BH 509 211 008	male stud coupling 10lx1/2"	1
18	BH 410 001 630	valve bolt	1
19	MPA 01 054 530	tube support tank	2
20	BS 554 101 050	bolt m10x100 din 603	2
21	MPA 01 311 360	connector mf1/2"x1/2"	1
22	BH 812 345 350	o-ring 34,52 x 3,53 mm viton	2
23	BY 717 212 010		1
24	BH 646 020 040	hose blue 20cm	1
25	BH 642 020 040	plug-in coupling 1/8 "diam 4 mm	1
26	BR 901 204 406		1
27	MPA 01 054 970	washer	1
28	BH 518 501 200	plug allen 3/4 r	1
29	BS 532 010 356	washer m10x35x3	2
30	BS 502 001 000	self locking nut m10 din 985	2
31	MPA 01 073 890	adaptor Ø 20mm - 1/2"	1
32	BH 512 671 006	standpipe adaptor 10sr3/8"	1
33	BH 509 211 006	male stud coupling 10lx3/8"	6
34	BH 563 000 100	manometer coupler 10lxm16x2	1
35	BH 512 111 000	rotary l-fitting female 10l	1
36	BS 501 000 700	nut m7 din 934	1
37	BH 281 201 011	gear wheel z14 25x22 din5482 gr 2/1	1
38	BB 321 020 512	key 2x5x12.65 din 6888	1
39	BH 210 103 200	hydraulic pump 3.2cc	1
40	BT 136 260 620		1
41	BH 510 011 000	equal tee 10l	1
42	BS 531 000 600	washer m6 din 125	2
43	BS 502 000 600	self locking nut m6 din 985	2
44	BR 212 019 038		1
45	MPA 01 054 700	return hydr. oil	1
46	BH 551 040 870	flexible hydraulic hose 1/4"x870	1
47	BH 551 040 890	flexible hydraulic hose 1/4"x895	1



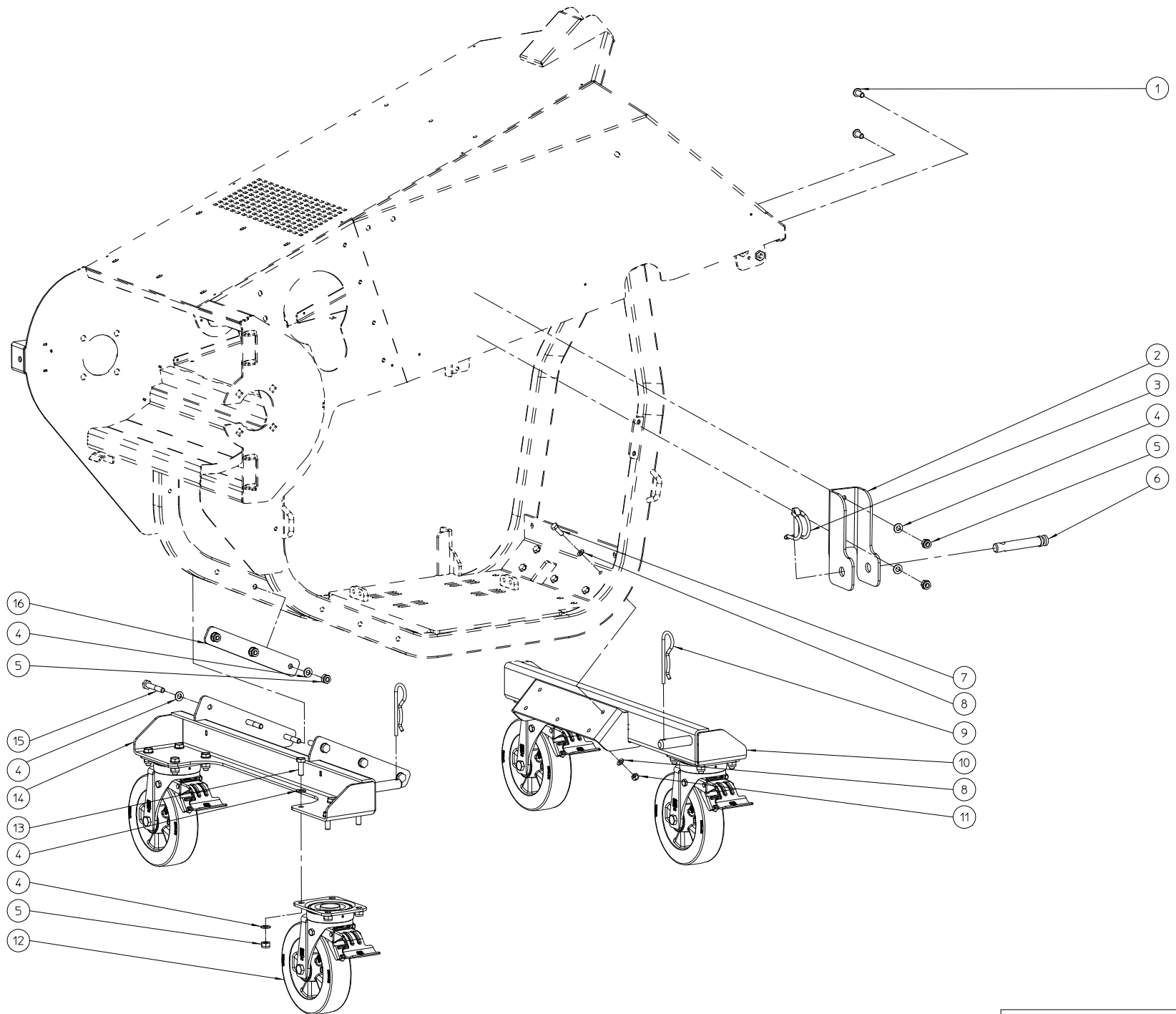
NO	MMA 01 054 630	REV	1	DATE	2021/02/18
----	----------------	-----	---	------	------------

#	Order nr	article description	quantity
1	MPA 01 055 090		1
2	MPA 01 054 820	spacer	1
3	BA 562 718 020	pulley spa ii 180 tl2012	1
4	BA 599 006 200	idler roller Ø44	1
5	BS 512 001 050	bolt m10x100 din 933	1
6	BB 501 154 000	taper lock tl 2012-40	1
7	BB 501 311 220	set screw 7/16"x7/8"	6
8	BB 341 121 050	key 12x10x50 din 6880	1
9	BA 552 221 200	xpa 2120/2 powerband multibrins	1
10	MPA 01 055 040		1
11	BS 512 001 025	bolt m10x25 din 933	1
12	BS 533 001 000	lock washer m10 din 127b	3
13	BS 532 010 305	washer m10x30x2.5	1
14	BS 531 000 800	washer m8 din 125	1
15	BS 533 000 800	lock washer m8 din 127b	1
16	BS 512 000 820	bolt m8x20 din 933	1
17	BS 512 001 041	bolt m10x45 din 933	1
18	BS 733 611 016		1
19	BS 502 001 200	self locking nut m12 din 985	1
20	MPA 01 074 490		1
21	BS 531 001 200	washer m12 din 125	1
22	BA 250 105 030		1
23	MPA 01 074 620		1
24	BS 512 001 035	bolt m10x35 din 933	2
25	BR 200 213 001		1
26	BS 531 001 000	washer m10 din 125	2
27	MPA 01 055 070		1
28	BA 521 208 000	belt xpa 800	1
29	BB 341 100 850	key 10x8x50 din 6880	1
30	BB 501 133 500	taper lock tl 1610-35	1
31	BA 562 711 201	pulley spa 112 tl1610	1
32	BS 501 000 800	nut m8 din 934	2
33	BS 511 000 840	bolt m8x40 din 931	2
34	BS 502 000 600	self locking nut m6 din 985	4
35	BS 531 000 600	washer m6 din 125	4
36	BH 281 101 180	pump support	1
37	BS 522 100 646		4
38	BA 562 712 501		1
39	BB 501 131 800		1
40	BB 351 060 625	key 6x6x25 din 6885a	1



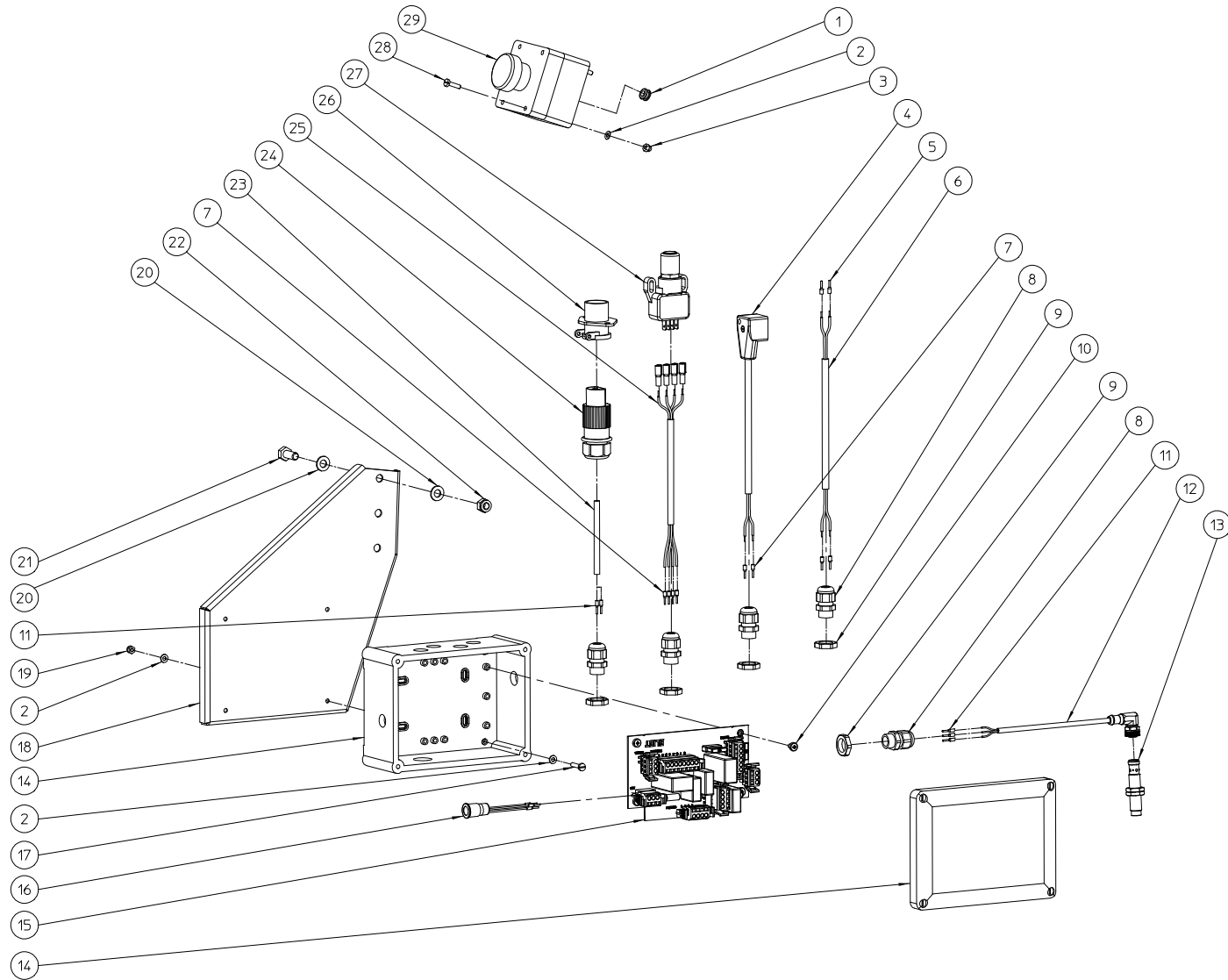
NO	MMA 01 054 640	REV	1	DATE	2021/02/18
----	----------------	-----	---	------	------------

#	Order nr	article description	quantity
1	BS 512 000 820	bolt m8x20 din 933	7
2	BS 533 000 800	lock washer m8 din 127b	12
3	BS 531 000 800	washer m8 din 125	12
4	BS 512 000 814	bolt m8x14 din 933	4
5	MPA 01 055 100		1
6	BA 670 700 708		1
7	BS 551 100 646	eye bolt m6x70 din 444	1
8	MPA 01 055 080		1
9	BS 531 000 600	washer m6 din 125	5
10	BS 533 000 600	lock washer m6 din 127b	4
11	BS 512 000 616	bolt m6x16 din 933	4
12	MPA 01 055 060		1
13	BS 502 000 600	self locking nut m6 din 985	1
14	BS 512 000 830	bolt m8x30 din 933	1
15	BS 512 001 025	bolt m10x25 din 933	4
16	BS 533 001 000	lock washer m10 din 127b	4
17	BS 531 001 000	washer m10 din 125	8
20			0
180			0



ASS ATTELAGE PROF6 PTO						
NO	MMA 01 054 650	REV	1	DATE	2021/02/17	

#	Order nr	article description	quantity
1	BS 522 501 025	screw m8x60 iso 7380	2
2	MPA 01 055 050		1
3	BB 040 410 050	locking pin 10x50	1
4	BS 531 001 000	washer m10 din 125	46
5	BS 502 001 000	self locking nut m10 din 985	24
6	BB 113 190 920	linkage pin 19mm	1
7	BS 512 000 825	bolt m8x25 din 933	5
8	BS 531 000 800	washer m8 din 125	10
9	BB 040 106 120	hairpin cotter 6mm din 11024	2
10	MPA 01 055 030		1
11	BS 502 000 800	self locking nut m8 din 985	5
12	BW 411 550 840		4
13	BS 512 001 030	bolt m10x30 din 933	16
14	MPA 01 055 020		1
15	BS 511 001 044	bolt m10x60 din 931	6
16	MPA 01 054 500	reinforcement plate	2



NO	MMA 01 054 660	REV	1	DATE
----	----------------	-----	---	------

#	Order nr	article description	quantity
1	BR 000 206 203	rubber grommets	1
2	BS 531 000 400	washer m4 din 125	10
3	BS 505 500 400	nut m4 din 1587	2
4	BH 410 001 410	valve plug with cable din43650	1
5	BE 033 002 300	connecting clamp	4
6	BE 094 012 650		1
7	BE 033 002 200	connecting clamp	2
8	BE 071 070 901		5
9	BE 071 080 901		5
10	BS 549 014 209	screw Ø4.2x9 din 7981	4
11	BE 033 002 100	connecting clamp	2
12	BE 099 005 403		1
13	BE 400 010 500	sensor	1
14	BE 141 511 072	electric box ip55	1
15	BE 700 054 000	pcb prof 6	1
16	BE 036 000 700	ticolor led indicator	1
17	BS 541 000 420	screw m4x20 din 84	4
18	MPA 01 054 830		1
19	BS 502 000 400	self locking nut m4 din 985	4
20	BS 531 000 800	washer m8 din 125	2
21	BS 512 000 820	bolt m8x20 din 933	1
22	BS 502 000 800	self locking nut m8 din 985	1
23	BE 092 435 001		1
24	BY 707 020 403	plug 3-pin plastic 12v / 25a male	1
25	BE 099 005 402		1
26	BY 707 010 403	plug 3-pin plastic 12v / 25a female	1
27	BE 120 030 020	safety switch	1
28	BS 541 000 416	screw m4x16 din 84	4
29	BE 122 710 001	pressure button red with lock	1